

### G25E

### 25mm F1.4 – C-Mount

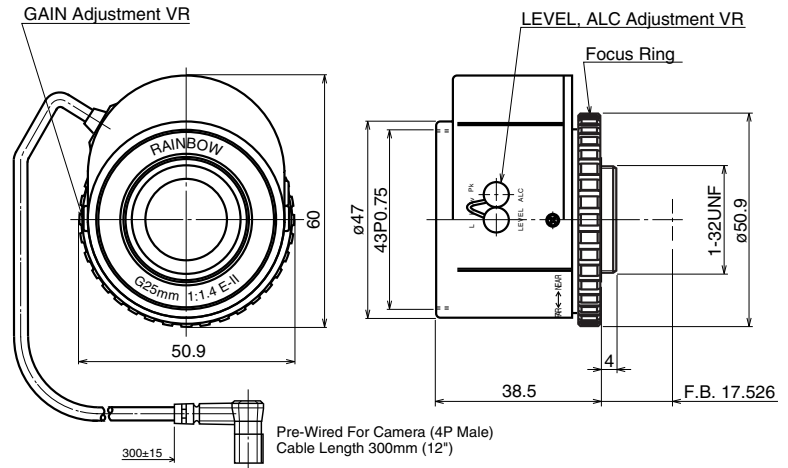
Compatible with 1", 2/3", 1/2", 1/3" & 1/4" Cameras

**Focal Length:** 25mm  
**Max. Relative Aperture:** 1:1.4  
**Iris:** F1.4~Approx. F360  
 With ND Spot Filter

**Angular Field of View:**  
 1": 28.7° x 21.7°  
 2/3": 20.0° x 15.0°  
 1/2": 14.6° x 11.0°  
 1/3": 11.0° x 8.2°  
 1/4": 8.2° x 6.2°

**Min. Object Distance (M.O.D.):** 0.5m (From Front Vertex)  
**Optical Back Focal Distance:** 14.32mm (In Air)  
**Operation:** Focus: Manual  
 Iris: Auto (DC+8~16V: Fixed Voltage, Max. 40mA) Auto-Close System Speed Within 4 sec.

**Auto-Iris Accuracy:** With Input Video Signal 0.7Vp-p Within ±10% of Mean Value  
**Auto-Iris Input Signal:** Composite Video Signal or Video Signal  
**Input Impedance:** High Impedance  
**Sensitivity Adjustment:** Image Signal Level 0.5~1.5Vp-p  
**Operation Temperature:** -10 ~ +50°C (+14 ~ 122° F)  
**Filter Size:** 43mm P0.75  
**Mount:** C-Mount, (Adjustable Lens Position)  
**Size, Approx. Weight:** 50.9 × 60 × 38.5mm (w/h/d), 90g (Approx. 2.0 × 2.4 × 1.5in., 3.2 oz.)



Camera Connector Wiring		Pin		Signal	
1	3	1	+8-16VDC	2	N.C.
2	4	3	Video	4	Ground

VIDEO TYPE LENS

For cameras with standard wiring for Video type lenses (Rainbow, Panasonic, Sanyo, Sony, etc.)

Note: Some brands (incl. Everfocus, Javelin, Watec) use the same 4-pin connector with non-standard wiring. **To avoid camera damage, compare wiring instructions in camera box to this diagram.**

### G50E

### 50mm F1.8 – C-Mount

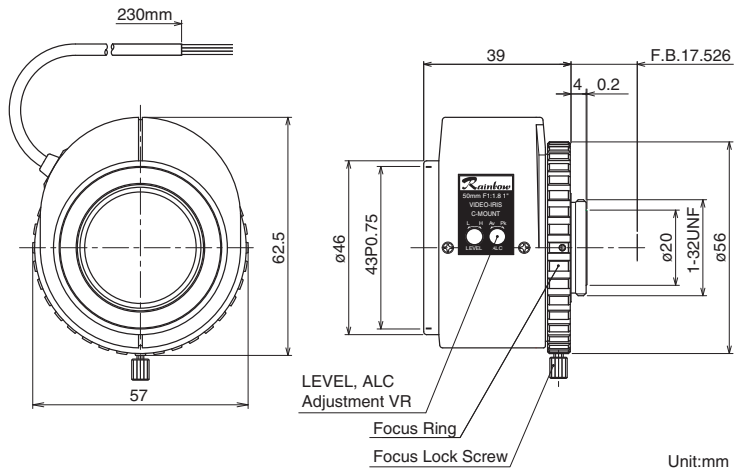
Compatible with 1", 2/3", 1/2", 1/3" & 1/4" Cameras

**Focal Length:** 50mm  
**Max. Relative Aperture:** 1:1.8  
**Iris:** F1.8~Approx. F360  
 With ND Spot Filter

**Angular Field of View:**  
 1": 14.5° x 10.9°  
 2/3": 10.1° x 7.6°  
 1/2": 7.3° x 5.5°  
 1/3": 5.5° x 4.1°  
 1/4": 4.1° x 3.1°

**Min. Object Distance (M.O.D.):** 0.7m (From Front Vertex)  
**Optical Back Focal Distance:** 19.71mm (In Air)  
**Operation:** Focus: Manual  
 Iris: Auto (DC+8~16V: Fixed Voltage, Max. 40mA) Auto-Close System Speed Within 4 sec.

**Auto-Iris Accuracy:** With Input Video Signal 0.7Vp-p Within ±10% of Mean Value  
**Auto-Iris Input Signal:** Composite Video Signal or Video Signal  
**Input Impedance:** High Impedance  
**Sensitivity Adjustment:** Image Signal Level 0.5~1.5Vp-p  
**Operation Temperature:** -10 ~ +50°C (+14 ~ 122° F)  
**Filter Size:** 43mm P0.75  
**Mount:** C-Mount, (Adjustable Lens Position)  
**Size, Approx. Weight:** 57 × 62.5 × 39mm (w/h/d), 140g (Approx. 2.2 × 2.5 × 1.5in., 4.9.)



Camera Connector Wiring		Pin		Signal	
1	3	1	+8-16VDC	2	N.C.
2	4	3	Video	4	Ground

VIDEO TYPE LENS

For cameras with standard wiring for Video type lenses (Rainbow, Panasonic, Sanyo, Sony, etc.)

Note: Some brands (incl. Everfocus, Javelin, Watec) use the same 4-pin connector with non-standard wiring. **To avoid camera damage, compare wiring instructions in camera box to this diagram.**