

G75E

75mm F1.8 – C-Mount

Focal Length: 75mm
Max. Relative Aperture: 1:1.8
Iris: F1.8~Approx. F360
 With ND Spot Filter

Angular Field of View:
 1": 9.7° × 7.3°
 2/3": 6.7° × 5.0°
 1/2": 4.9° × 3.7°
 1/3": 3.7° × 2.8°
 1/4": 2.8° × 2.1°

Min. Object Distance (M.O.D.): 0.8m (From Front Vertex)

Optical Back Focal Distance: 21.85mm (In Air)

Operation: Focus: Manual
 Iris: Auto (DC+8~16V: Fixed Voltage, Max. 40mA) Auto-Close System Speed Within 4 sec.

Auto-Iris Accuracy: With Input Video Signal 0.7Vp-p Within ±10% of Mean Value

Auto-Iris Input Signal: Composite Video Signal or Video Signal

Input Impedance: High Impedance

Sensitivity Adjustment: Image Signal Level 0.5~1.5Vp-p

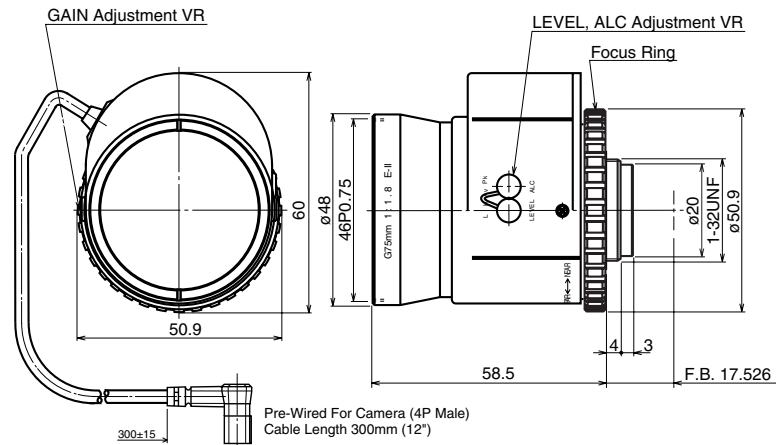
Operation Temperature: -10 ~ +50°C (+14 ~ 122° F)

Filter Size: 43mm P0.75

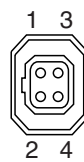
Mount: C-Mount, (Adjustable Lens Position)

Size, Approx. Weight: 50.9 × 60 × 58.5mm (w/h/d), 215g (Approx. 2.0 × 2.4 × 2.3in., 7.6oz.)

Compatible with 1", 2/3", 1/2", 1/3" & 1/4" Cameras



Camera Connector Wiring



Pin	Signal
1	+8-16VDC
2	N.C.
3	Video
4	Ground

VIDEO TYPE LENS

For cameras with standard wiring for Video type lenses (Rainbow, Panasonic, Sanyo, Sony, etc.)

Note: Some brands (incl. Everfocus, Javelin, Watec) use the same 4-pin connector with non-standard wiring. **To avoid camera damage, compare wiring instructions in camera box to this diagram.**