

### H6GECS

### 6mm F1.4 – CS-Mount

Compatible with 1/2", 1/3" & 1/4" Cameras

**Focal Length:** 6mm  
**Max. Relative Aperture:** 1:1.4  
**Iris:** F1.4~Approx. F360  
 With ND Spot Filter

**Angular Field of View:**  
 1/2": 56.1° × 43.6°  
 1/3": 43.6° × 33.4°  
 1/4": 33.4° × 25.4°

**Min. Object Distance (M.O.D.):** 0.2m (From Front Vertex)

**Optical Back Focal Distance:** 13.93mm (In Air)

**Operation:** Focus: Manual  
 Iris: Auto (DC+8~16V: Fixed Voltage, Max. 40mA) Auto-Close System Speed Within 4 sec.

**Auto-Iris Accuracy:** With Input Video Signal 0.7Vp-p Within ±10% of Mean Value

**Auto-Iris Input Signal:** Composite Video Signal or Video Signal

**Input Impedance:** High Impedance

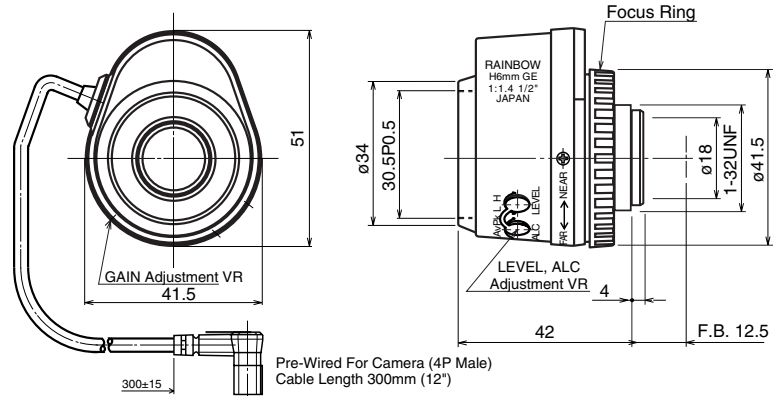
**Sensitivity Adjustment:** Image Signal Level 0.5~1.5Vp-p

**Operation Temperature:** -10 ~ +50°C (+14 ~ 122° F)

**Filter Size:** 30.5mm P0.5

**Mount:** CS-Mount, (Adjustable Lens Position)

**Size, Approx. Weight:** 41.5 × 51 × 42mm (w/h/d), 60g (Approx. 1.6 × 2.0 × 1.7in., 2.1 oz.)



Camera Connector Wiring													
	<table border="1" style="border-collapse: collapse;"> <thead> <tr> <th>Pin</th> <th>Signal</th> </tr> </thead> <tbody> <tr> <td style="text-align: center;">1</td> <td>+8-16VDC</td> </tr> <tr> <td style="text-align: center;">2</td> <td>N.C.</td> </tr> <tr> <td style="text-align: center;">3</td> <td>Video</td> </tr> <tr> <td style="text-align: center;">4</td> <td>Ground</td> </tr> </tbody> </table>	Pin	Signal	1	+8-16VDC	2	N.C.	3	Video	4	Ground	<p>For cameras with standard wiring for Video type lenses (Rainbow, Panasonic, Sanyo, Sony, etc.)</p> <p>Note: Some brands (incl. Everfocus, Javelin, Watec) use the same 4-pin connector with non-standard wiring. <b>To avoid camera damage, compare wiring instructions in camera box to this diagram.</b></p>	
Pin	Signal												
1	+8-16VDC												
2	N.C.												
3	Video												
4	Ground												
VIDEO TYPE LENS													

### H12ECS

### 12mm F1.2 – CS-Mount

Compatible with 1/2", 1/3" & 1/4" Cameras

**Focal Length:** 12mm  
**Max. Relative Aperture:** 1:1.2  
**Iris:** F1.2~Approx. F360  
 With ND Spot Filter

**Angular Field of View:**  
 1/2": 29.9° × 22.6°  
 1/3": 22.6° × 17.1°  
 1/4": 17.1° × 12.8°

**Min. Object Distance (M.O.D.):** 0.2m (From Front Vertex)

**Optical Back Focal Distance:** 12.66mm (In Air)

**Operation:** Focus: Manual  
 Iris: Auto (DC+8~16V: Fixed Voltage, Max. 40mA) Auto-Close System Speed Within 4 sec.

**Auto-Iris Accuracy:** With Input Video Signal 0.7Vp-p Within ±10% of Mean Value

**Auto-Iris Input Signal:** Composite Video Signal or Video Signal

**Input Impedance:** High Impedance

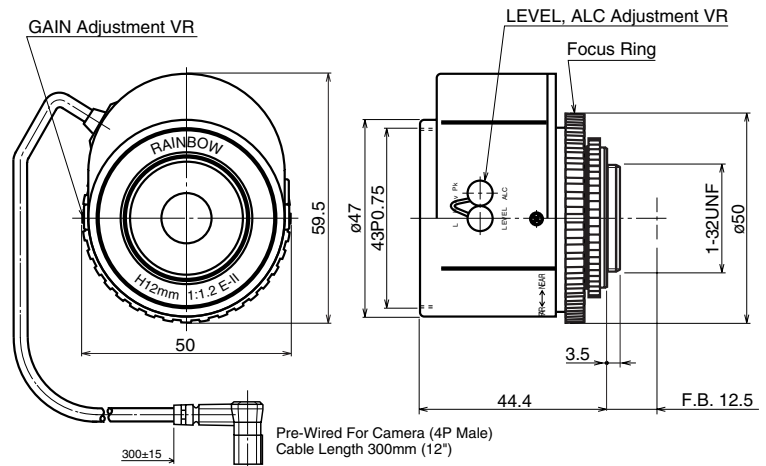
**Sensitivity Adjustment:** Image Signal Level 0.5~1.5Vp-p

**Operation Temperature:** -10 ~ +50°C (+14 ~ 122° F)

**Filter Size:** 43mm P0.75

**Mount:** CS-Mount, (Adjustable Lens Position)

**Size, Approx. Weight:** 50 × 59.5 × 44.4mm (w/h/d), 85g (Approx. 2.0 × 2.3 × 1.7in., 3.0 oz.)



Camera Connector Wiring													
	<table border="1" style="border-collapse: collapse;"> <thead> <tr> <th>Pin</th> <th>Signal</th> </tr> </thead> <tbody> <tr> <td style="text-align: center;">1</td> <td>+8-16VDC</td> </tr> <tr> <td style="text-align: center;">2</td> <td>N.C.</td> </tr> <tr> <td style="text-align: center;">3</td> <td>Video</td> </tr> <tr> <td style="text-align: center;">4</td> <td>Ground</td> </tr> </tbody> </table>	Pin	Signal	1	+8-16VDC	2	N.C.	3	Video	4	Ground	<p>For cameras with standard wiring for Video type lenses (Rainbow, Panasonic, Sanyo, Sony, etc.)</p> <p>Note: Some brands (incl. Everfocus, Javelin, Watec) use the same 4-pin connector with non-standard wiring. <b>To avoid camera damage, compare wiring instructions in camera box to this diagram.</b></p>	
Pin	Signal												
1	+8-16VDC												
2	N.C.												
3	Video												
4	Ground												
VIDEO TYPE LENS													