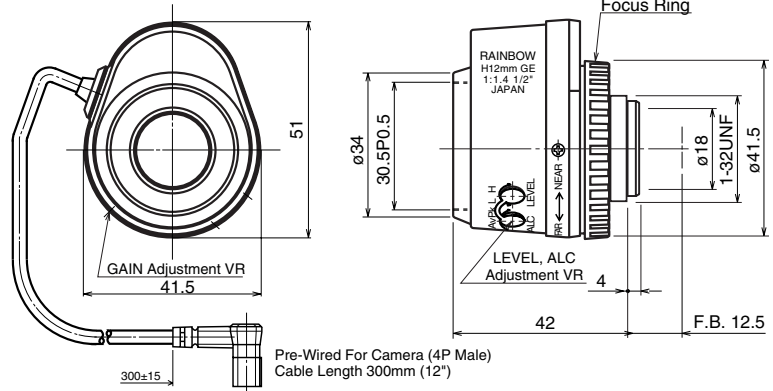
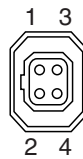


H12GECS

12mm F1.4 – CS-Mount

Compatible with 1/2", 1/3" & 1/4" Cameras

| | |
|---------------------------------------|--|
| Focal Length: | 12mm |
| Max. Relative Aperture: | 1:1.4 |
| Iris: | F1.4~Approx. F360 With ND Spot Filter |
| Angular Field of View: | 1/2": 29.9° × 22.6° 1/3": 22.6° × 17.1° 1/4": 17.1° × 12.8° |
| Min. Object Distance (M.O.D.): | 0.2m (From Front Vertex) |
| Optical Back Focal Distance: | 13.87mm (In Air) |
| Operation: | Focus: Manual Iris: Auto (DC+8~16V: Fixed Voltage, Max. 40mA) Auto-Close System Speed Within 4 sec. |
| Auto-Iris Accuracy: | With Input Video Signal 0.7Vp-p Within ±10% of Mean Value |
| Auto-Iris Input Signal: | Composite Video Signal or Video Signal |
| Input Impedance: | High Impedance |
| Sensitivity Adjustment: | Image Signal Level 0.5~1.5Vp-p |
| Operation Temperature: | -10 ~ +50°C (+14 ~ 122° F) |
| Filter Size: | 30.5mm P0.5 |
| Mount: | CS-Mount, (Adjustable Lens Position) |
| Size, Approx. Weight: | 41.5 × 51 × 42mm (w/h/d), 65g (Approx. 1.6 × 2.0 × 1.7in., 2.3 oz.) |

**Camera Connector Wiring**

| Pin | Signal |
|-----|----------|
| 1 | +8-16VDC |
| 2 | N.C. |
| 3 | Video |
| 4 | Ground |

VIDEO TYPE LENS

For cameras with standard wiring for Video type lenses (Rainbow, Panasonic, Sanyo, Sony, etc.)

Note: Some brands (incl. Everfocus, Javelin, Watec) use the same 4-pin connector with non-standard wiring. **To avoid camera damage, compare wiring instructions in camera box to this diagram.**