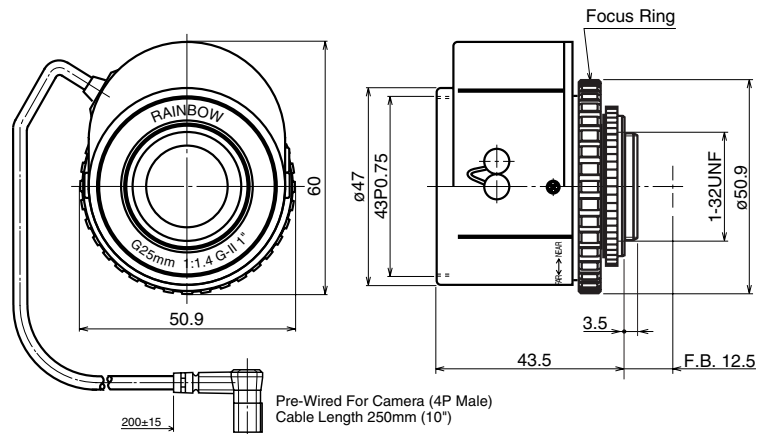
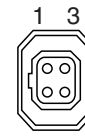


L25DC4P**25mm F1.4 – CS-Mount**

Compatible with 1/2", 1/3" & 1/4" Cameras

Focal Length:	25mm
Max. Relative Aperture:	1:1.4
Iris:	F1.4~Approx. F360 With ND Spot Filter
Angular Field of View:	1/2": 14.6° × 11.0° 1/3": 11.0° × 8.2° 1/4": 8.2° × 6.2°
Min. Object Distance (M.O.D.):	0.5m (From Front Vertex)
Optical Back Focal Distance:	14.32mm (In Air)
Operation:	Focus: Manual Iris: IG (Auto-Close System)
Operation Voltage:	Close to Open: Less than 3V Open to Close: More than 0.5V
Operation Temperature:	-10 ~ +50°C (+14 ~ 122° F)
Filter Size:	43mm P0.75
Mount:	CS-Mount (Adjustable Lens Position)
Size, Approx. Weight:	50.9 × 60 × 43.5mm (w/h/d), 95g (Approx. 2.0 × 2.4 × 1.7in., 3.4oz.)

**Camera Connector Wiring**

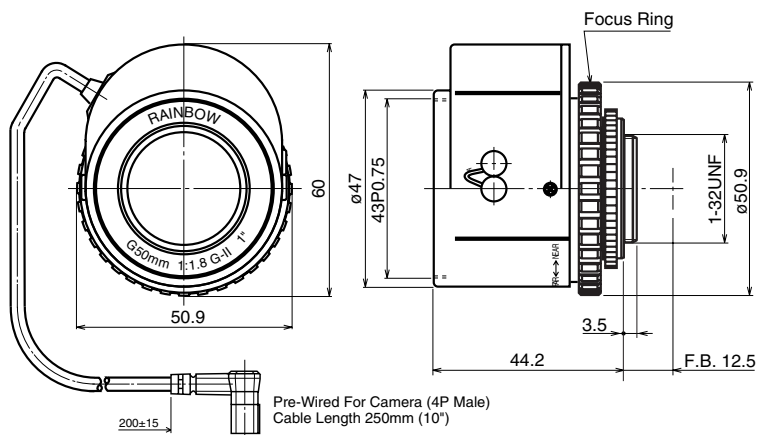
Pin	Signal
1	Brake - *
2	Brake + *
3	Drive +
4	Drive -

* Also referred to as DAMP, CONTROL, or DUMP

L50DC4P**50mm F1.8 – CS-Mount**

Compatible with 1/2", 1/3" & 1/4" Cameras

Focal Length:	50mm
Max. Relative Aperture:	1:1.8
Iris:	F1.8~Approx. F360 With ND Spot Filter
Angular Field of View:	1/2": 7.3° × 5.5° 1/3": 5.5° × 4.1° 1/4": 4.1° × 3.1°
Min. Object Distance (M.O.D.):	0.7m (From Front Vertex)
Optical Back Focal Distance:	19.71mm (In Air)
Operation:	Focus: Manual Iris: IG (Auto-Close System)
Operation Voltage:	Close to Open: Less than 3V Open to Close: More than 0.5V
Operation Temperature:	-10 ~ +50°C (+14 ~ 122° F)
Filter Size:	43mm P0.75
Mount:	CS-Mount (Adjustable Lens Position)
Size, Approx. Weight:	50.9 × 60 × 44.2mm (w/h/d), 125g (Approx. 2.0 × 2.4 × 1.7in., 4.4oz.)

**Camera Connector Wiring**

Pin	Signal
1	Brake - *
2	Brake + *
3	Drive +
4	Drive -

* Also referred to as DAMP, CONTROL, or DUMP