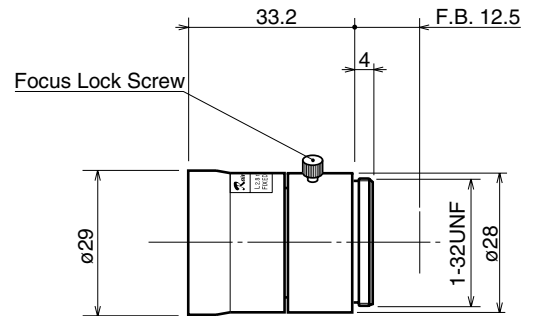


**L28CS****2.8mm F1.3 – CS-Mount**

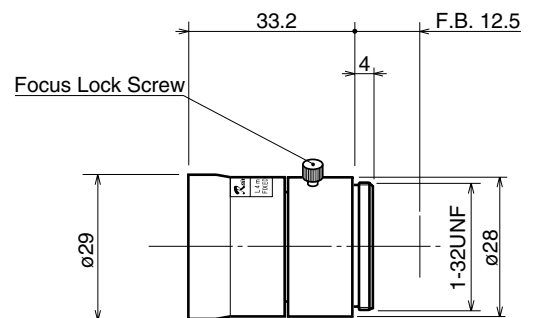
Compatible with 1/3" &amp; 1/4" Cameras

<b>Focal Length:</b>	2.8mm
<b>Max. Relative Aperture:</b>	1:1.3
<b>Iris:</b>	Without Iris
<b>Angular Field of View:</b>	1/3": 92.0° × 71.7° 1/4": 71.7° × 51.5°
<b>Min. Object Distance (M.O.D.):</b>	0.1m (From Front Vertex)
<b>Optical Back Focal Distance:</b>	8.5mm (In Air)
<b>Operation:</b>	Focus: Manual Iris: Without Iris
<b>Operation Temperature:</b>	-10 ~ +50°C (+14 ~ 122° F)
<b>Filter Size:</b>	None
<b>Size, Approx. Weight:</b>	ø29 x 33.2mm, 35g (Approx. ø1.2 × 1.3in., 1.2oz.)

**L4CS****4mm F1.2 – CS-Mount**

Compatible with 1/3" &amp; 1/4" Cameras

<b>Focal Length:</b>	4mm
<b>Max. Relative Aperture:</b>	1:1.2
<b>Iris:</b>	Without Iris
<b>Angular Field of View:</b>	1/3": 70.7° × 53.4° 1/4": 53.4° × 37.3°
<b>Min. Object Distance (M.O.D.):</b>	0.1m (From Front Vertex)
<b>Optical Back Focal Distance:</b>	9.0mm (In Air)
<b>Operation:</b>	Focus: Manual Iris: Without Iris
<b>Operation Temperature:</b>	-10 ~ +50°C (+14 ~ 122° F)
<b>Filter Size:</b>	None
<b>Size, Approx. Weight:</b>	ø29 x 33.2mm, 35g (Approx. ø1.2 × 1.3in., 1.2oz.)

**L8CS****8mm F1.2 – CS-Mount**

Compatible with 1/3" &amp; 1/4" Cameras

<b>Focal Length:</b>	8mm
<b>Max. Relative Aperture:</b>	1:1.2
<b>Iris:</b>	Without Iris
<b>Angular Field of View:</b>	1/3": 33.4° × 25.3° 1/4": 25.3° × 19.2°
<b>Min. Object Distance (M.O.D.):</b>	0.1m (From Front Vertex)
<b>Optical Back Focal Distance:</b>	10.7mm (In Air)
<b>Operation:</b>	Focus: Manual Iris: Without Iris
<b>Operation Temperature:</b>	-10 ~ +50°C (+14 ~ 122° F)
<b>Filter Size:</b>	None
<b>Size, Approx. Weight:</b>	ø29 x 33.2mm, 35g (Approx. ø1.2 × 1.3in., 1.2oz.)

