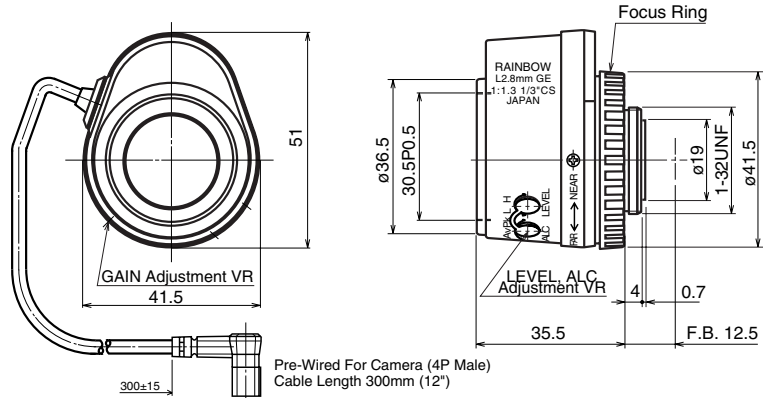


## L28GECS

## 2.8mm F1.3 – CS-Mount

Compatible with 1/3" &amp; 1/4" Cameras

<b>Focal Length:</b>	2.8mm
<b>Max. Relative Aperture:</b>	1:1.3
<b>Iris:</b>	F1.3~Approx. F360 With ND Spot Filter
<b>Angular Field of View:</b>	1/3": 87.6° × 68.2° 1/4": 68.2° × 51.5°
<b>Min. Object Distance (M.O.D.):</b>	0.2m (From Front Vertex)
<b>Optical Back Focal Distance:</b>	8.5mm (In Air)
<b>Operation:</b>	Focus: Manual Iris: Auto (DC+8~16V: Fixed Voltage, Max. 40mA) Auto-Close System Speed Within 4 sec.
<b>Auto-Iris Accuracy:</b>	With Input Video Signal 0.7Vp-p Within ±10% of Mean Value
<b>Auto-Iris Input Signal:</b>	Composite Video Signal or Video Signal
<b>Input Impedance:</b>	High Impedance
<b>Sensitivity Adjustment:</b>	Image Signal Level 0.5~1.5Vp-p
<b>Operation Temperature:</b>	-10 ~ +50°C (+14 ~ 122° F)
<b>Filter Size:</b>	30.5mm P0.5
<b>Mount:</b>	CS-Mount (Adjustable Lens Position)
<b>Size, Approx. Weight:</b>	41.5 × 51 × 35.5mm (w/h/d), 55g (Approx. 1.6 × 2.0 × 3.8in., 2.0 oz.)



## Camera Connector Wiring

Pin	Signal
1	+8-16VDC
2	N.C.
3	Video
4	Ground

For cameras with standard wiring for Video type lenses (Rainbow, Panasonic, Sanyo, Sony, etc.)

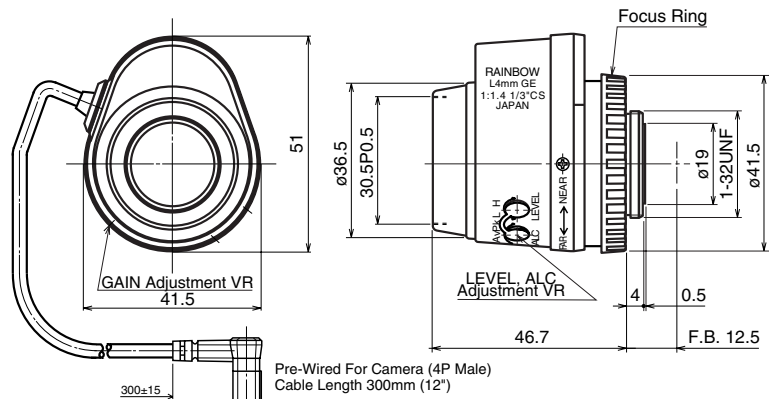
Note: Some brands (incl. Everfocus, Javelin, Watec) use the same 4-pin connector with non-standard wiring. **To avoid camera damage, compare wiring instructions in camera box to this diagram.**

## L4GECS

## 4mm F1.2 – CS-Mount

Compatible with 1/3" &amp; 1/4" Cameras

<b>Focal Length:</b>	4mm
<b>Max. Relative Aperture:</b>	1:1.2
<b>Iris:</b>	F1.2~Approx. F360 With ND Spot Filter
<b>Angular Field of View:</b>	1/3": 63.9° × 49.1° 1/4": 49.1° × 37.3°
<b>Min. Object Distance (M.O.D.):</b>	0.2m (From Front Vertex)
<b>Optical Back Focal Distance:</b>	8.5mm (In Air)
<b>Operation:</b>	Focus: Manual Iris: Auto (DC+8~16V: Fixed Voltage, Max. 40mA) Auto-Close System Speed Within 4 sec.
<b>Auto-Iris Accuracy:</b>	With Input Video Signal 0.7Vp-p Within ±10% of Mean Value
<b>Auto-Iris Input Signal:</b>	Composite Video Signal or Video Signal
<b>Input Impedance:</b>	High Impedance
<b>Sensitivity Adjustment:</b>	Image Signal Level 0.5~1.5Vp-p
<b>Operation Temperature:</b>	-10 ~ +50°C (+14 ~ 122° F)
<b>Filter Size:</b>	30.5mm P0.5
<b>Mount:</b>	CS-mount (Adjustable Lens Position)
<b>Size, Approx. Weight:</b>	41.5 × 51 × 46.7mm (w/h/d), 70g (Approx. 1.6 × 2.0 × 1.8in., 2.5 oz.)



## Camera Connector Wiring

Pin	Signal
1	+8-16VDC
2	N.C.
3	Video
4	Ground

For cameras with standard wiring for Video type lenses (Rainbow, Panasonic, Sanyo, Sony, etc.)

Note: Some brands (incl. Everfocus, Javelin, Watec) use the same 4-pin connector with non-standard wiring. **To avoid camera damage, compare wiring instructions in camera box to this diagram.**