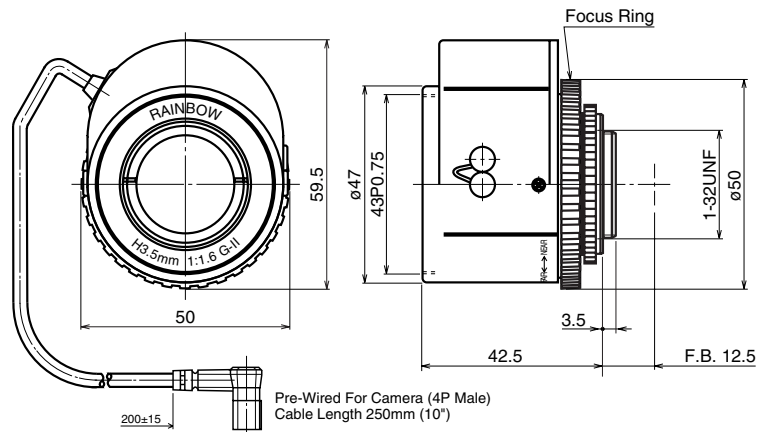
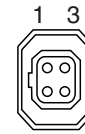


L35DC4P**3.5mm F1.6 – CS-Mount**

Compatible with 1/2", 1/3" & 1/4" Cameras

Focal Length:	3.5mm
Max. Relative Aperture:	1:1.6
Iris:	F1.6~Approx. F360 With ND Spot Filter
Angular Field of View:	1/2": 84.9° × 68.9° 1/3": 68.9° × 54.4° 1/4": 54.4° × 42.2°
Min. Object Distance (M.O.D.):	0.1m (From Front Vertex)
Optical Back Focal Distance:	11.45mm (In Air)
Operation:	Focus: Manual Iris: IG (Auto-Close System)
Operation Voltage:	Close to Open: Less than 3V Open to Close: More than 0.5V
Operation Temperature:	-10 ~ +50°C (+14 ~ 122° F)
Filter Size:	43mm P0.75
Mount:	CS-Mount (Adjustable Lens Position)
Size, Approx. Weight:	50 × 59.5 × 42.5mm (w/h/d), 85g (Approx. 2.0 × 2.3 × 1.7in., 3.0oz.)

**Camera Connector Wiring**

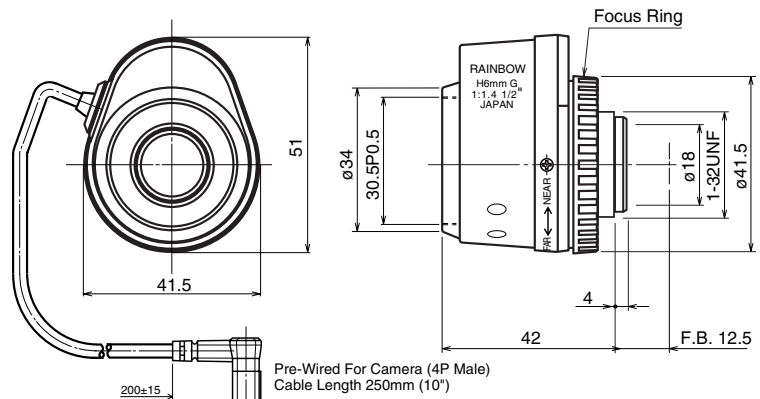
Pin	Signal
1	Brake - *
2	Brake + *
3	Drive +
4	Drive -

* Also referred to as DAMP, CONTROL, or DUMP

L6DC4P**6mm F1.4 – CS-Mount**

Compatible with 1/2", 1/3" & 1/4" Cameras

Focal Length:	6mm
Max. Relative Aperture:	1:1.4
Iris:	F1.4~Approx. F360 With ND Spot Filter
Angular Field of View:	1/2": 56.1° × 43.6° 1/3": 43.6° × 33.4° 1/4": 33.4° × 25.4°
Min. Object Distance (M.O.D.):	0.2m (From Front Vertex)
Optical Back Focal Distance:	13.93mm (In Air)
Operation:	Focus: Manual Iris: IG (Auto-Close System)
Operation Voltage:	Close to Open: Less than 3V Open to Close: More than 0.5V
Operation Temperature:	-10 ~ +50°C (+14 ~ 122° F)
Filter Size:	30.5mm P0.5
Mount:	CS-Mount (Adjustable Lens Position)
Size, Approx. Weight:	41.5 × 51 × 42mm (w/h/d), 60g (Approx. 1.6 × 2.0 × 1.7in., 2.1oz.)

**Camera Connector Wiring**

Pin	Signal
1	Brake - *
2	Brake + *
3	Drive +
4	Drive -

* Also referred to as DAMP, CONTROL, or DUMP