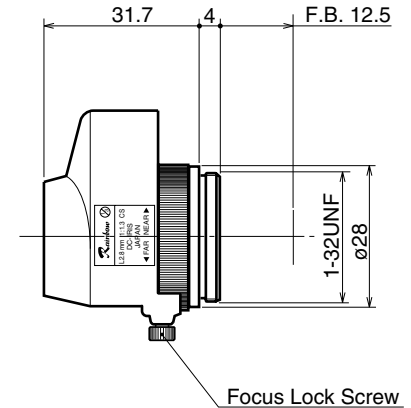
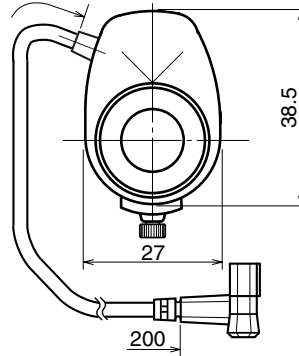


L28DC4P**2.8mm F1.3 – CS-Mount**

Compatible with 1/3" & 1/4" Cameras

Focal Length:	2.8mm
Max. Relative Aperture:	1:1.3
Iris:	F1.3~Approx. F360 With ND Spot Filter
Angular Field of View:	1/3": 92.0° × 71.7° 1/4": 71.7° × 51.5°
Min. Object Distance (M.O.D.):	0.1m (From Front Vertex)
Optical Back Focal Distance:	8.5mm (In Air)
Operation:	Focus: Manual Iris: IG (Auto-Close System)
Operation Voltage:	Close to Open: Less than 3V Open to Close: More than 0.5V
Operation Temperature:	-10 ~ +50°C (+14 ~ 122° F)
Filter Size:	None
Mount:	CS-Mount (Adjustable Lens Position)
Size, Approx. Weight:	27 × 38.5 × 31.7mm (w/h/d), 50g (Approx. 1.1 × 1.5 × 1.2in., 1.8oz.)

**Camera Connector Wiring**

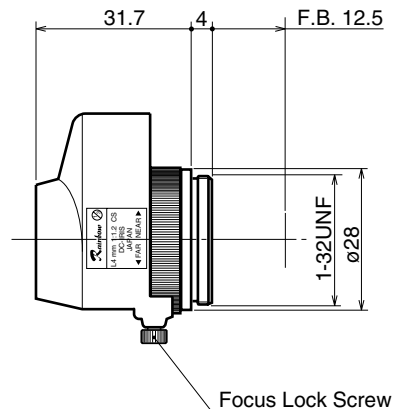
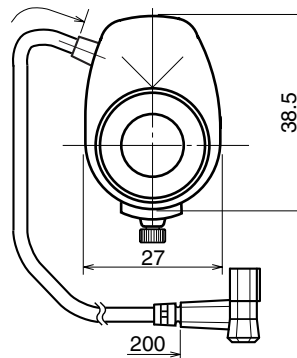
Pin	Signal
1	Brake - *
2	Brake + *
3	Drive +
4	Drive -

* Also referred to as DAMP, CONTROL, or DUMP

L4DC4P**4mm F1.2 – CS-Mount**

Compatible with 1/3" & 1/4" Cameras

Focal Length:	4mm
Max. Relative Aperture:	1:1.2
Iris:	F1.2~Approx. F360 With ND Spot Filter
Angular Field of View:	1/3": 70.7° × 53.4° 1/4": 53.4° × 37.3°
Min. Object Distance (M.O.D.):	0.1m (From Front Vertex)
Optical Back Focal Distance:	9.0mm (In Air)
Operation:	Focus: Manual Iris: IG (Auto-Close System)
Operation Voltage:	Close to Open: Less than 3V Open to Close: More than 0.5V
Operation Temperature:	-10 ~ +50°C (+14 ~ 122° F)
Filter Size:	None
Mount:	CS-Mount (Adjustable Lens Position)
Size, Approx. Weight:	27 × 38.5 × 31.7mm (w/h/d), 50g (Approx. 1.1 × 1.5 × 1.2in., 1.8oz.)

**Camera Connector Wiring**

Pin	Signal
1	Brake - *
2	Brake + *
3	Drive +
4	Drive -

* Also referred to as DAMP, CONTROL, or DUMP