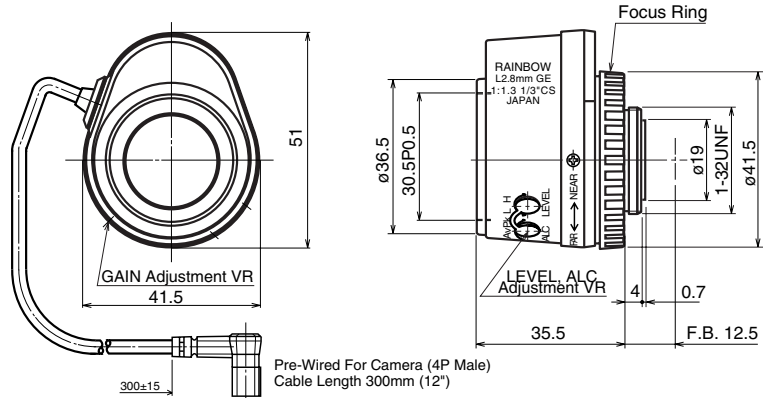


L28GECS

2.8mm F1.3 – CS-Mount

Compatible with 1/3" & 1/4" Cameras

Focal Length:	2.8mm
Max. Relative Aperture:	1:1.3
Iris:	F1.3~Approx. F360 With ND Spot Filter
Angular Field of View:	1/3": 87.6° × 68.2° 1/4": 68.2° × 51.5°
Min. Object Distance (M.O.D.):	0.2m (From Front Vertex)
Optical Back Focal Distance:	8.5mm (In Air)
Operation:	Focus: Manual Iris: Auto (DC+8~16V: Fixed Voltage, Max. 40mA) Auto-Close System Speed Within 4 sec.
Auto-Iris Accuracy:	With Input Video Signal 0.7Vp-p Within ±10% of Mean Value
Auto-Iris Input Signal:	Composite Video Signal or Video Signal
Input Impedance:	High Impedance
Sensitivity Adjustment:	Image Signal Level 0.5~1.5Vp-p
Operation Temperature:	-10 ~ +50°C (+14 ~ 122° F)
Filter Size:	30.5mm P0.5
Mount:	CS-Mount (Adjustable Lens Position)
Size, Approx. Weight:	41.5 × 51 × 35.5mm (w/h/d), 55g (Approx. 1.6 × 2.0 × 3.8in., 2.0 oz.)



Camera Connector Wiring

Pin	Signal
1	+8-16VDC
2	N.C.
3	Video
4	Ground

For cameras with standard wiring for Video type lenses (Rainbow, Panasonic, Sanyo, Sony, etc.)

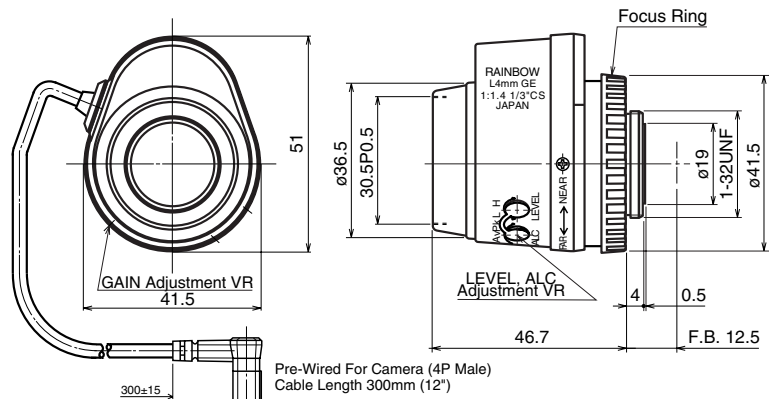
Note: Some brands (incl. Everfocus, Javelin, Watec) use the same 4-pin connector with non-standard wiring. **To avoid camera damage, compare wiring instructions in camera box to this diagram.**

L4GECS

4mm F1.2 – CS-Mount

Compatible with 1/3" & 1/4" Cameras

Focal Length:	4mm
Max. Relative Aperture:	1:1.2
Iris:	F1.2~Approx. F360 With ND Spot Filter
Angular Field of View:	1/3": 63.9° × 49.1° 1/4": 49.1° × 37.3°
Min. Object Distance (M.O.D.):	0.2m (From Front Vertex)
Optical Back Focal Distance:	8.5mm (In Air)
Operation:	Focus: Manual Iris: Auto (DC+8~16V: Fixed Voltage, Max. 40mA) Auto-Close System Speed Within 4 sec.
Auto-Iris Accuracy:	With Input Video Signal 0.7Vp-p Within ±10% of Mean Value
Auto-Iris Input Signal:	Composite Video Signal or Video Signal
Input Impedance:	High Impedance
Sensitivity Adjustment:	Image Signal Level 0.5~1.5Vp-p
Operation Temperature:	-10 ~ +50°C (+14 ~ 122° F)
Filter Size:	30.5mm P0.5
Mount:	CS-mount (Adjustable Lens Position)
Size, Approx. Weight:	41.5 × 51 × 46.7mm (w/h/d), 70g (Approx. 1.6 × 2.0 × 1.8in., 2.5 oz.)



Camera Connector Wiring

Pin	Signal
1	+8-16VDC
2	N.C.
3	Video
4	Ground

For cameras with standard wiring for Video type lenses (Rainbow, Panasonic, Sanyo, Sony, etc.)

Note: Some brands (incl. Everfocus, Javelin, Watec) use the same 4-pin connector with non-standard wiring. **To avoid camera damage, compare wiring instructions in camera box to this diagram.**