

L8DC4P

8mm F1.2 – CS-Mount

Compatible with 1/3" & 1/4" Cameras

Focal Length: 8mm
Max. Relative Aperture: 1:1.2
Iris: F1.2~Approx. F360
 With ND Spot Filter
Angular Field of View: 1/3": 33.4° × 25.3°
 1/4": 25.3° × 19.1°

Min. Object Distance (M.O.D.): 0.1m (From Front Vertex)

Optical Back Focal Distance: 10.7mm (In Air)

Operation: Focus: Manual
 Iris: IG (Auto-Close System)

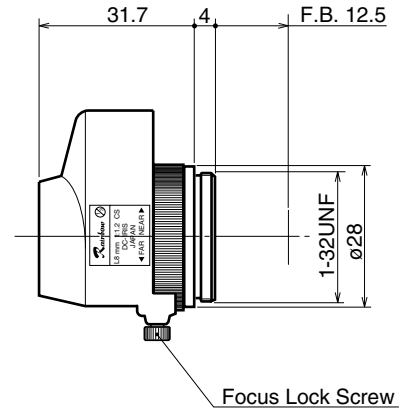
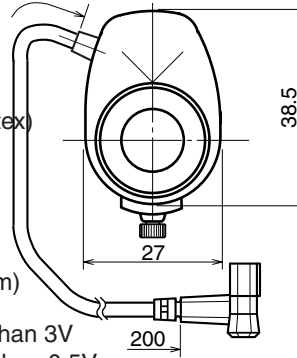
Operation Voltage: Close to Open: Less than 3V
 Open to Close: More than 0.5V

Operation Temperature: -10 ~ +50°C (+14 ~ 122° F)

Filter Size: None

Mount: CS-Mount
 (Adjustable Lens Position)

Size, Approx. Weight: 27 × 38.5 × 31.7mm (w/h/d), 50g
 (Approx. 1.1 × 1.5 × 1.2in., 1.8oz.)



Camera Connector Wiring

Pin	Signal
1	Brake - *
2	Brake + *
3	Drive +
4	Drive -

* Also referred to as DAMP, CONTROL, or DUMP