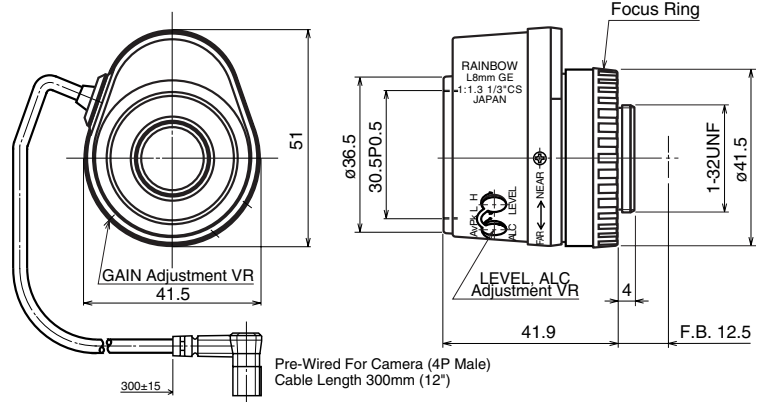


L8GECS

8mm F1.2 – CS-Mount

Compatible with 1/3" & 1/4" Cameras

**Focal Length:** 8mm  
**Max. Relative Aperture:** 1:1.2  
**Iris:** F1.2~Approx. F360  
 With ND Spot Filter  
**Angular Field of View:** 1/3": 33.4° x 25.4°  
 1/4": 25.4° x 19.2°  
**Min. Object Distance (M.O.D.):** 0.2m (From Front Vertex)  
**Optical Back Focal Distance:** 8.5mm (In Air)  
**Operation:** Focus: Manual  
 Iris: Auto (DC+8~16V: Fixed Voltage, Max. 40mA) Auto-Close System Speed Within 4 sec.  
**Auto-Iris Accuracy:** With Input Video Signal 0.7Vp-p Within ±10% of Mean Value  
**Auto-Iris Input Signal:** Composite Video Signal or Video Signal  
**Input Impedance:** High Impedance  
**Sensitivity Adjustment:** Image Signal Level 0.5~1.5Vp-p  
**Operation Temperature:** -10 ~ +50°C (+14 ~ 122° F)  
**Filter Size:** 30.5mm P0.5  
**Mount:** CS-Mount  
 (Adjustable Lens Position)  
**Size, Approx. Weight:** 41.5 x 51 x 35.5mm (w/h/d), 65g  
 (Approx. 1.6 x 2.0 x 1.4in., 2.3 oz.)



Camera Connector Wiring

Pin	Signal
1	+8-16VDC
2	N.C.
3	Video
4	Ground

VIDEO TYPE LENS

For cameras with standard wiring for Video type lenses (Rainbow, Panasonic, Sanyo, Sony, etc.)  
 Note: Some brands (incl. Everfocus, Javelin, Watec) use the same 4-pin connector with non-standard wiring. **To avoid camera damage, compare wiring instructions in camera box to this diagram.**