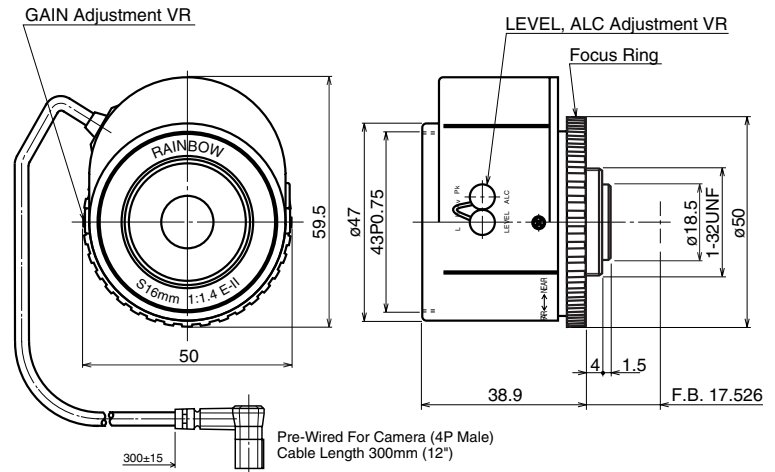
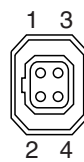


S16E**16mm F1.4 – C-Mount**

Compatible with 2/3", 1/2", 1/3" & 1/4" Cameras

Focal Length:	16mm
Max. Relative Aperture:	1:1.4
Iris:	F1.4~Approx. F360 With ND Spot Filter
Angular Field of View:	2/3": 30.8° × 23.3° 1/2": 22.6° × 17.1° 1/3": 17.1° × 12.9° 1/4": 12.9° × 9.6°
Min. Object Distance (M.O.D.):	0.2m (From Front Vertex)
Optical Back Focal Distance:	14.2mm (In Air)
Operation:	Focus: Manual Iris: Auto (DC+8~16V: Fixed Voltage, Max. 40mA) Auto-Close System Speed Within 4 sec.
Auto-Iris Accuracy:	With Input Video Signal 0.7Vp-p Within ±10% of Mean Value
Auto-Iris Input Signal:	Composite Video Signal or Video Signal
Input Impedance:	High Impedance
Sensitivity Adjustment:	Image Signal Level 0.5~1.5Vp-p
Operation Temperature:	-10 ~ +50°C (+14 ~ 122° F)
Filter Size:	43mm P0.75
Mount:	CS-Mount, (Adjustable Lens Position)
Size, Approx. Weight:	50 × 59.5 × 38.9mm (w/h/d), 75g (Approx. 2.0 × 2.3 × 1.4in., 2.7 oz.)

**Camera Connector Wiring**

Pin	Signal
1	+8-16VDC
2	N.C.
3	Video
4	Ground

VIDEO TYPE LENS

For cameras with standard wiring for Video type lenses (Rainbow, Panasonic, Sanyo, Sony, etc.)

Note: Some brands (incl. Everfocus, Javelin, Watec) use the same 4-pin connector with non-standard wiring. **To avoid camera damage, compare wiring instructions in camera box to this diagram.**