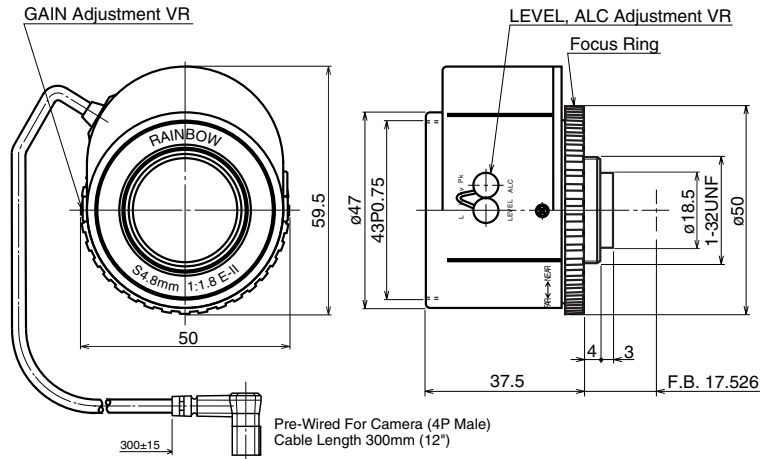


S48E

4.8mm F1.8 – C-Mount

Compatible with 2/3", 1/2", 1/3" & 1/4" Cameras

Focal Length: 4.8mm
Max. Relative Aperture: 1:1.8
Iris: F1.8~Approx. F360
 With ND Spot Filter
Angular Field of View: 2/3": 85.0° × 69.0°
 1/2": 67.4° × 53.1°
 1/3": 53.1° × 41.1°
 1/4": 41.1° × 31.4°
Min. Object Distance (M.O.D.): 0.2m (From Front Vertex)
Optical Back Focal Distance: 10.86mm (In Air)
Operation: Focus: Manual
 Iris: Auto (DC+8~16V: Fixed Voltage, Max. 40mA) Auto-Close System Speed Within 4 sec.
Auto-Iris Accuracy: With Input Video Signal 0.7Vp-p Within ±10% of Mean Value
Auto-Iris Input Signal: Composite Video Signal or Video Signal
Input Impedance: High Impedance
Sensitivity Adjustment: Image Signal Level 0.5~1.5Vp-p
Operation Temperature: -10 ~ +50°C (+14 ~ 122° F)
Filter Size: 43mm P0.75
Mount: C-Mount, (Adjustable Lens Position)
Size, Approx. Weight: 50 × 59.5 × 37.5mm (w/h/d), 90g (Approx. 2.0 × 2.3 × 1.5in., 3.2 oz.)



Camera Connector Wiring

Pin	Signal
1	+8-16VDC
2	N.C.
3	Video
4	Ground

VIDEO TYPE LENS

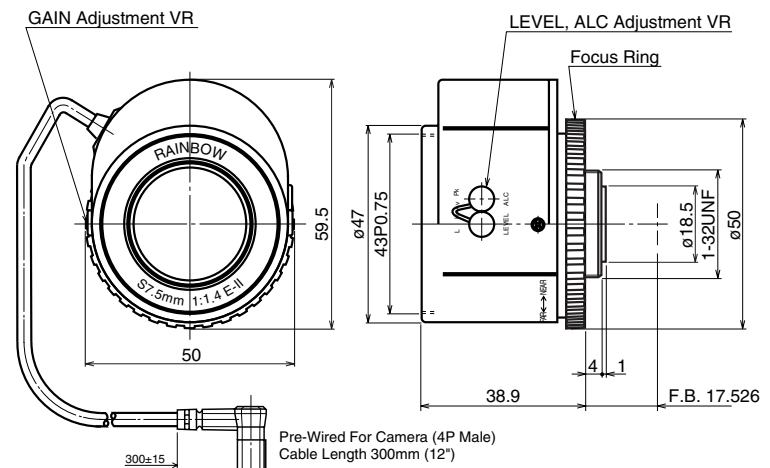
For cameras with standard wiring for Video type lenses (Rainbow, Panasonic, Sanyo, Sony, etc.)
 Note: Some brands (incl. Everfocus, Javelin, Watec) use the same 4-pin connector with non-standard wiring. **To avoid camera damage, compare wiring instructions in camera box to this diagram.**

S75E

7.5mm F1.4 – C-Mount

Compatible with 2/3", 1/2", 1/3" & 1/4" Cameras

Focal Length: 7.5mm
Max. Relative Aperture: 1:1.4
Iris: F1.4~Approx. F360
 With ND Spot Filter
Angular Field of View: 2/3": 60.8° × 47.5°
 1/2": 46.2° × 35.5°
 1/3": 35.5° × 27.0°
 1/4": 27.0° × 51.5°
Min. Object Distance (M.O.D.): 0.2m (From Front Vertex)
Optical Back Focal Distance: 14.04mm (In Air)
Operation: Focus: Manual
 Iris: Auto (DC+8~16V: Fixed Voltage, Max. 40mA) Auto-Close System Speed Within 4 sec.
Auto-Iris Accuracy: With Input Video Signal 0.7Vp-p Within ±10% of Mean Value
Auto-Iris Input Signal: Composite Video Signal or Video Signal
Input Impedance: High Impedance
Sensitivity Adjustment: Image Signal Level 0.5~1.5Vp-p
Operation Temperature: -10 ~ +50°C (+14 ~ 122° F)
Filter Size: 43mm P0.75
Mount: C-Mount, (Adjustable Lens Position)
Size, Approx. Weight: 50 × 59.5 × 38.9mm (w/h/d), 85g



Camera Connector Wiring

Pin	Signal
1	+8-16VDC
2	N.C.
3	Video
4	Ground

VIDEO TYPE LENS

For cameras with standard wiring for Video type lenses (Rainbow, Panasonic, Sanyo, Sony, etc.)
 Note: Some brands (incl. Everfocus, Javelin, Watec) use the same 4-pin connector with non-standard wiring. **To avoid camera damage, compare wiring instructions in camera box to this diagram.**