

### H612VGECS

6~12mm F1.4 – CS-Mount

Compatible with 1/2", 1/3", & 1/4" Cameras  
Pre-wired with 4-pin connector

**Focal Length:** 6~12mm  
**Max. Relative Aperture:** 1:1.4  
**Iris:** F1.4~Approx. F88  
 With ND Spot Filter

**Angular Field of View:**  
 1/2": 56.1° × 43.6° at 6mm  
 29.9° × 22.6° at 12mm  
 1/3": 43.6° × 33.4° at 6mm  
 22.6° × 17.1° at 12mm  
 1/4": 33.4° × 25.4° at 6mm  
 17.1° × 12.8° at 12mm

**Min. Object Distance (M.O.D.):** 0.25m (From Front Vertex)

**Optical Back Focal Distance:** 11.0mm (In Air)

**Operation:** Zoom: Manual Focus: Manual  
 Iris: Auto (DC+8~16V: Fixed Voltage, Max. 40mA) Auto-Close System Speed Within 4 sec.

**Auto-Iris Accuracy:** With Input Video Signal 0.7Vp-p Within ±10% of Mean Value

**Auto-Iris Input Signal:** Composite Video Signal or Video Signal

**Input Impedance:** High Impedance

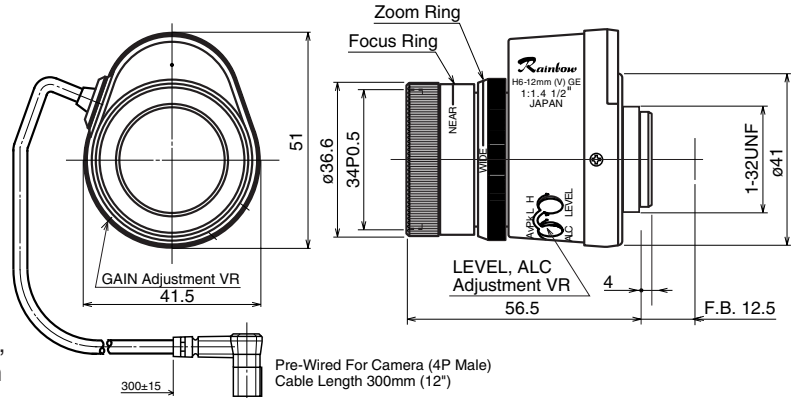
**Sensitivity Adjustment:** Image Signal Level 0.5~1.5Vp-p

**Operation Temperature:** -10 ~ +50°C (+14 ~ 122° F)

**Filter Size (Front Thread):** 34mm P0.5

**Mount:** CS-Mount (Adjustable Lens Position)

**Size, Approx. Weight:** 41.5 × 51 × 56.5mm (w/h/d), 70g (Approx. 1.6 × 2.0 × 2.0in., 2.2oz.)



Camera Connector Wiring		Pin		Signal	
1	3	1	+8-16VDC	2	N.C.
2	4	3	Video	4	Ground

VIDEO TYPE LENS

For cameras with standard wiring for Video type lenses (Rainbow, Panasonic, Sanyo, Sony, etc.)

Note: Some brands (incl. Everfocus, Javelin, Watec) use the same 4-pin connector with non-standard wiring. **To avoid camera damage, compare wiring instructions in camera box to this diagram.**

### L851VGECS

8.5~51mm F1.6 – CS-Mount

Compatible with 1/2", 1/3", & 1/4" Cameras  
Pre-wired with 4-pin connector

**Focal Length:** 8.5~51mm  
**Max. Relative Aperture:** 1:1.6  
**Iris:** F1.6~Approx. F360  
 With ND Spot Filter

**Angular Field of View:**  
 1/2": 41.3° × 31.5° at 8.5mm  
 7.2° × 5.4° at 51mm  
 1/3": 31.5° × 23.9° at 8.5mm  
 5.4° × 4.0° at 51mm  
 1/4": 23.9° × 18.0° at 8.5mm  
 4.0° × 3.0° at 51mm

**Min. Object Distance (M.O.D.):** 0.8m (From Front Vertex)

**Optical Back Focal Distance:** 15.89mm (In Air)

**Operation:** Zoom: Manual Focus: Manual  
 Iris: Auto (DC+8~16V: Fixed Voltage, Max. 40mA) Auto-Close System Speed Within 4 sec.

**Auto-Iris Accuracy:** With Input Video Signal 0.7Vp-p Within ±10% of Mean Value

**Auto-Iris Input Signal:** Composite Video Signal or Video Signal

**Input Impedance:** High Impedance

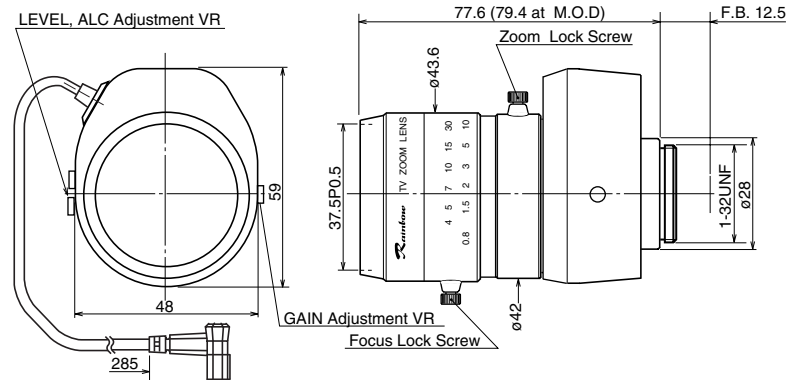
**Sensitivity Adjustment:** Image Signal Level 0.5~1.5Vp-p

**Operation Temperature:** -10 ~ +50°C (+14 ~ 122° F)

**Filter Size:** 37.5mm P0.5

**Mount:** CS-Mount (Adjustable Lens Position)

**Size, Approx. Weight:** 48 × 59 × 79.4mm (w/h/d) 140g



**This model is a combination of our L851VDC4P and DLA DC to Video Lens adapter.** (specification is located in the Accessories section)

Camera Connector Wiring		Pin		Signal	
1	3	1	+8-16VDC	2	N.C.
2	4	3	Video	4	Ground

VIDEO TYPE LENS

For cameras with standard wiring for Video type lenses (Rainbow, Panasonic, Sanyo, Sony, etc.)

Note: Some brands (incl. Everfocus, Javelin, Watec) use the same 4-pin connector with non-standard wiring. **To avoid camera damage, compare wiring instructions in camera box to this diagram.**