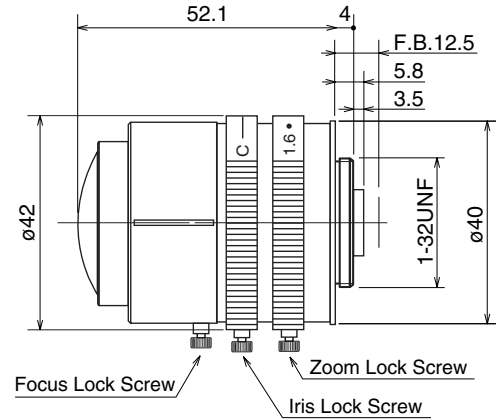


L163VCS

1.6~3.4mm F1.4 – CS-Mount
Compatible with 1/3" & 1/4" Cameras

Focal Length:	1.6~3.4mm
Max. Relative Aperture:	1:1.4
Iris:	F1.4~Close
Angular Field of View:	1/3": 180.0° × 114.1° at 1.6mm 84.3° × 55.8° at 3.4mm 1/4": 140.0° × 88.9° at 1.6mm 67.4° × 43.5° at 3.4mm
Min. Object Distance (M.O.D.):	0.05~0.2m (From Front Vertex)
Optical Back Focal Distance:	7.07~11.55mm (In Air)
Operation:	Zoom: Manual Focus: Manual Iris: Manual
Operation Temperature:	-10 ~ +50°C (+14 ~ 122° F)
Filter Size:	None
Size, Approx. Weight:	ø42 × 52.1mm, 98g (Approx. ø1.7 × 2.1in., 3.5oz.)



L308VCSIR

DAY NIGHT IR

3~8mm F1.4 – CS-Mount
Compatible with 1/3" & 1/4" Cameras

Focal Length:	3~8mm
Max. Relative Aperture:	1:1.4
Iris:	F1.4~Close
Angular Field of View:	1/3": 92.9° × 68.4° at 3mm 35.7° × 26.8° at 8mm 1/4": 61.9° × 44.5° at 3mm 26.8° × 19.1° at 8mm
Min. Object Distance (M.O.D.):	0.3m (From Front Vertex)
Optical Back Focal Distance:	7.25~12.81mm (In Air)
Operation:	Zoom: Manual Focus: Manual Iris: Manual
Operation Temperature:	-10 ~ +50°C (+14 ~ 122° F)
Filter Size:	None
Size, Approx. Weight:	ø39 × 47mm, 45g (Approx. ø1.5 × 1.9in., 1.6oz.)

