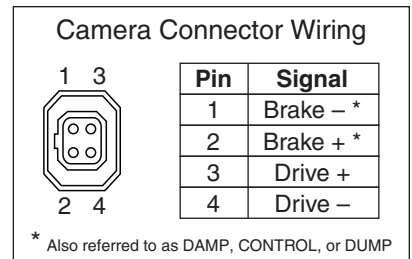
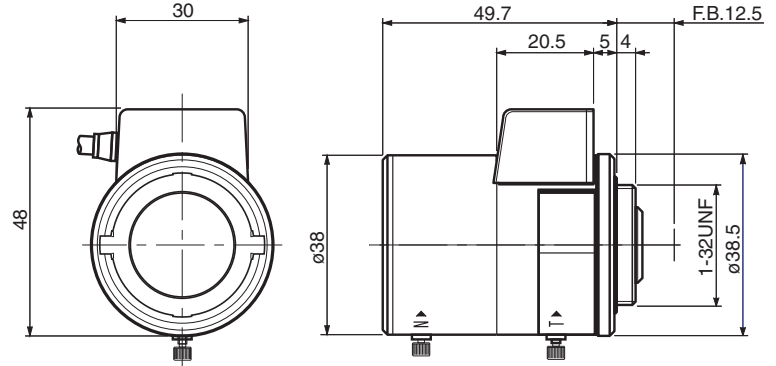


L308VDC4PIR

DAY NIGHT IR

3~8mm F1.2 – CS-Mount
Compatible with 1/3" & 1/4" Cameras

Focal Length: 3~8mm
Max. Relative Aperture: 1:1.2
Iris: F1.2~Approx. F360
 With ND Spot Filter
Angular Field of View: 1/3": 92.9° × 68.4° at 3mm
 35.7° × 26.8° at 8mm
 1/4": 61.9° × 44.5° at 3mm
 26.8° × 19.1° at 8mm
Min. Object Distance (M.O.D.): 0.3m (From Front Vertex)
Optical Back Focal Distance: 7.25~12.81mm (In Air)
Operation: Zoom: Manual
 Focus: Manual
 Iris: IG (Auto-Close System)
Operation Voltage: Close to Open: Less than 3V
 Open to Close: More than 0.5V
Operation Temperature: -10 ~ +50°C (+14 ~ 122° F)
Filter Size: None
Mount: CS-Mount
 (Adjustable Lens Position)
Size, Approx. Weight: 39 × 46.3 × 47mm (w/h/d), 65g
 (Approx. 1.5 × 1.8 × 1.9in., 2.3oz.)



L358VDC

3.5~8mm F1.4 – CS-Mount
Compatible with 1/3" & 1/4" Cameras

Focal Length: 3.5~8mm
Max. Relative Aperture: 1:1.4
Iris: F1.4~Approx. F360
 With ND Spot Filter
Angular Field of View: 1/3": 68.9° × 54.4° at 3.5mm
 33.4° × 25.4° at 8mm
 1/4": 54.4° × 42.2° at 3.5mm
 25.4° × 19.1° at 8mm
Min. Object Distance (M.O.D.): 0.3m (From Front Vertex)
Optical Back Focal Distance: 8.5~13.2mm (In Air)
Operation: Zoom: Manual
 Focus: Manual
 Iris: IG (Auto-Close System)
Operation Voltage: Close to Open: Less than 3V
 Open to Close: More than 0.5V
Operation Temperature: -10 ~ +50°C (+14 ~ 122° F)
Filter Size: None
Mount: CS-Mount
 (Adjustable Lens Position)
Size, Approx. Weight: 37 × 44 × 44mm (w/h/d), 67g
 (Approx. 1.5 × 1.7 × 1.7in., 2.4oz.)

