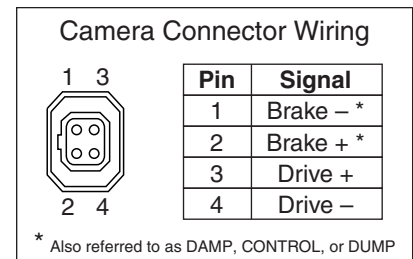
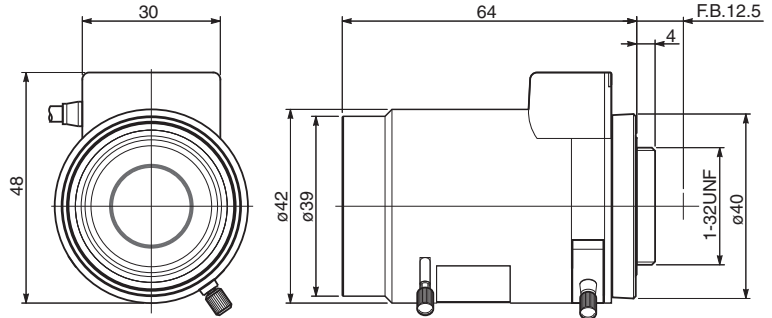


L555VDC4P

5~55mm F1.4 – CS-Mount

Compatible with 1/3" & 1/4" Cameras

- Focal Length:** 5~55mm
- Max. Relative Aperture:** 1:1.4
- Iris:** F1.4~Approx. F360
Built-in ND Spot Filter
- Angular Field of View:** 1/3": 53.1° × 40.0° at 5mm
4.8° × 3.6° at 55mm
1/4": 40.0° × 30.0° at 5mm
3.6° × 2.9° at 55mm
- Min. Object Distance (M.O.D.):** 0.3m @5mm (From Front Vertex)
0.8m @55mm (From Front Vertex)
- Optical Back Focal Distance:** 10.97mm (In Air)
- Operation:** Zoom: Manual
Focus: Manual
Iris: IG (Auto-Close System)
- Operation Voltage:** Close to Open: Less than 4V
Open to Close: More than 0.5V
- Operation Temperature:** -10 ~ +50°C (+14 ~ 122° F)
- Filter Size:** None
- Mount:** CS-Mount
(Adjustable Lens Position)
- Size, Approx. Weight:** 42 × 48 × 64mm (w/h/d), 100g
(Approx. 1.7 × 1.9 × 2.5in., 3.5oz.)



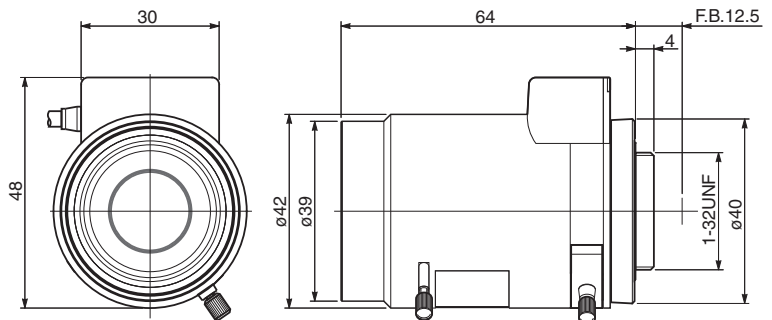
L555VDC4PIR

DAY NIGHT IR

5~55mm F1.4 – CS-Mount

Compatible with 1/3" & 1/4" Cameras

- Focal Length:** 5~55mm
- Max. Relative Aperture:** 1:1.4
- Iris:** F1.4~Approx. F360
Built-in ND Spot Filter
- Angular Field of View:** 1/3": 53.1° × 40.0° at 5mm
4.8° × 3.6° at 55mm
1/4": 40.0° × 30.0° at 5mm
3.6° × 2.9° at 55mm
- Min. Object Distance (M.O.D.):** 0.3m @5mm (From Front Vertex)
0.8m @55mm (From Front Vertex)
- Optical Back Focal Distance:** 11.47mm (In Air)
- Operation:** Zoom: Manual
Focus: Manual
Iris: IG (Auto-Close System)
- Operation Voltage:** Close to Open: Less than 4V
Open to Close: More than 0.5V
- Operation Temperature:** -10 ~ +50°C (+14 ~ 122° F)
- Filter Size:** None
- Mount:** CS-Mount
(Adjustable Lens Position)
- Size, Approx. Weight:** 42 × 48 × 64mm (w/h/d), 100g
(Approx. 1.7 × 1.9 × 2.5in., 3.5oz.)



Extra-low Dispersion (ED) glass helps to correct chromatic aberrations, or color fringing, caused when different light wavelengths do not converge at the same point after passing through traditional optical glass. ED glass improves sharpness and contrast in standard and IR lighting applications, even at maximum aperture.

