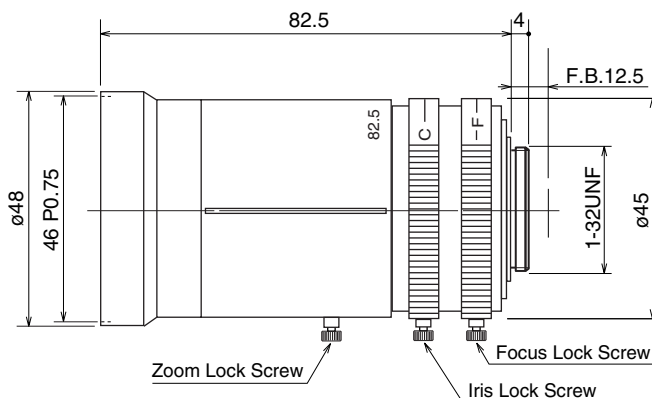


## L582VCS

### 5.5~82.5mm F1.8 – CS-Mount

Compatible with 1/3" & 1/4" Cameras

<b>Focal Length:</b>	5.5~82.5mm
<b>Max. Relative Aperture:</b>	1:1.8
<b>Iris:</b>	F1.8~Close
<b>Angular Field of View:</b>	1/3": 47.1° × 36.2° at 5.5mm 3.3° × 2.5° at 82.5mm 1/4": 36.2° × 29.5° at 5.5mm 2.5° × 2.0° at 82.5mm
<b>Min. Object Distance (M.O.D.):</b>	0.2~1.0m (From Front Vertex)
<b>Optical Back Focal Distance:</b>	10.32~8.65mm (In Air)
<b>Operation:</b>	Zoom: Manual Focus: Manual Iris: Manual
<b>Operation Temperature:</b>	-10 ~ +50°C (+14 ~ 122° F)
<b>Filter Size:</b>	46mm P0.75
<b>Size, Approx. Weight:</b>	ø48 × 82.5mm, 210g (Approx. ø1.9 × 3.2in., 7.4oz.)



## L639VCS

### 6.5~39mm F1.4 – CS-Mount

Compatible with 1/3" & 1/4" Cameras

<b>Focal Length:</b>	6.5~39mm
<b>Max. Relative Aperture:</b>	1:1.4
<b>Iris:</b>	F1.4~Close
<b>Angular Field of View:</b>	1/3": 40.5° × 31.0° at 6.5mm 7.0° × 5.3° at 39mm 1/4": 31.0° × 23.5° at 6.5mm 5.3° × 4.0° at 39mm
<b>Min. Object Distance (M.O.D.):</b>	0.8m (From Front Vertex)
<b>Optical Back Focal Distance:</b>	11.85mm (In Air)
<b>Operation:</b>	Zoom: Manual Focus: Manual Iris: Manual
<b>Operation Temperature:</b>	-10 ~ +50°C (+14 ~ 122° F)
<b>Filter Size:</b>	37.5mm P0.5
<b>Size, Approx. Weight:</b>	ø43.6 × 74.4mm, 120g (Approx. ø1.7 × 2.9in., 4.2oz.)

