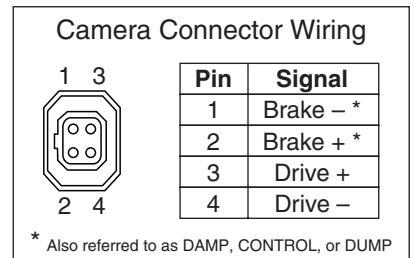
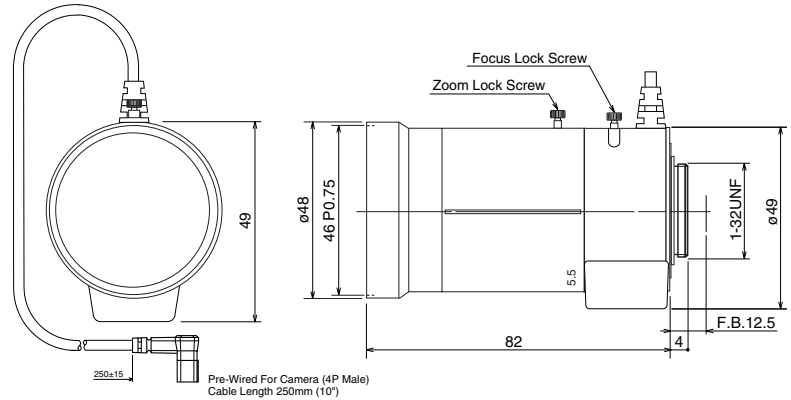


L582VDC4P

5.5~82.5mm F1.8 – CS-Mount

Compatible with 1/3", & 1/4" Cameras

Focal Length: 5.5~82.5mm
Max. Relative Aperture: 1:1.8
Iris: F1.8~Approx. F360
 With ND Spot Filter
Angular Field of View: 1/3": 47.1° × 36.2° at 5.5mm
 3.3° × 2.5° at 82.5mm
 1/4": 36.2° × 29.5° at 5.5mm
 2.5° × 2.0° at 82.5mm
Min. Object Distance (M.O.D.): 0.2~1.0m (From Front Vertex)
Optical Back Focal Distance: 10.32~8.65mm (In Air)
Operation: Zoom: Manual
 Focus: Manual
 Iris: IG (Auto-Close System)
Operation Voltage: Close to Open: Less than 3V
 Open to Close: More than 0.5V
Operation Temperature: -10 ~ +50°C (+14 ~ 122° F)
Filter Size (Front Thread): 46mm P0.75
Mount: CS-Mount
 (Adjustable Lens Position)
Size, Approx. Weight: 48 × 49 × 82mm (w/h/d), 220g
 (Approx. 1.9 × 1.9 × 3.2in., 7.8oz.)



L639VDC4P

6.5~39mm F1.4 – CS-Mount

Compatible with 1/3" & 1/4" Cameras

Focal Length: 6.5~39mm
Max. Relative Aperture: 1:1.4
Iris: F1.4~Approx. F360
 With ND Spot Filter
Angular Field of View: 1/3": 40.5° × 31.0° at 6.5mm
 7.0° × 5.3° at 39mm
 1/4": 31.0° × 23.5° at 6.5mm
 5.3° × 4.0° at 39mm
Min. Object Distance (M.O.D.): 0.8m (From Front Vertex)
Optical Back Focal Distance: 11.85mm (In Air)
Operation: Zoom: Manual
 Focus: Manual
 Iris: IG (Auto-Close System)
Operation Voltage: Close to Open: Less than 3V
 Open to Close: More than 0.5V
Operation Temperature: -10 ~ +50°C (+14 ~ 122° F)
Filter Size: 37.5mm P0.5
Mount: CS-Mount
 (Adjustable Lens Position)
Size, approx. Weight: 48 × 59 × 74.4mm (w/h/d) 130g
 (Approx. 1.9 × 2.3 × 2.9in., 4.6oz.)

