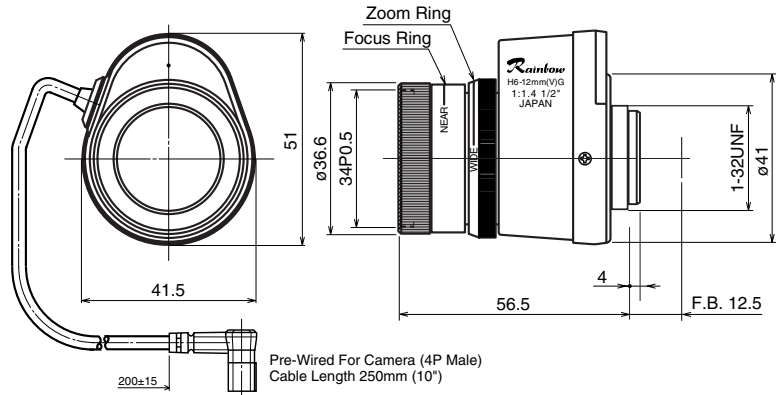


L612VDC4P

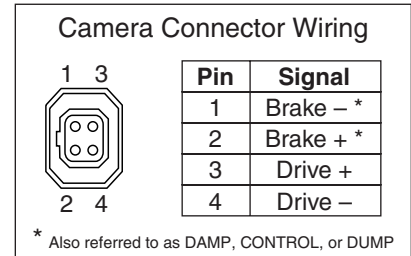
6~12mm F1.4 – CS-Mount

Compatible with 1/2", 1/3", & 1/4" Cameras

- Focal Length:** 6~12mm
- Max. Relative Aperture:** 1:1.4
- Iris:** F1.4~Approx. F88
With ND Spot Filter
- Angular Field of View:**
 - 1/2": 56.1° × 43.6° at 6mm
29.9° × 22.6° at 12mm
 - 1/3": 43.6° × 33.4° at 6mm
22.6° × 17.1° at 12mm
 - 1/4": 33.4° × 25.4° at 6mm
17.1° × 12.8° at 12mm



- Min. Object Distance (M.O.D.):** 0.25m (From Front Vertex)
- Optical Back Focal Distance:** 11.0mm (In Air)
- Operation:**
 - Zoom: Manual
 - Focus: Manual
 - Iris: IG (Auto-Close System)
- Operation Voltage:**
 - Close to Open: Less than 3V
 - Open to Close: More than 0.5V
- Operation Temperature:** -10 ~ +50°C (+14 ~ 122° F)
- Filter Size (Front Thread):** 34mm P0.5
- Mount:** CS-Mount
(Adjustable Lens Position)
- Size, Approx. Weight:** 41.5 × 51 × 56.5mm (w/h/d), 65g
(Approx. 1.6 × 2.0 × 2.0in., 2.3oz.)

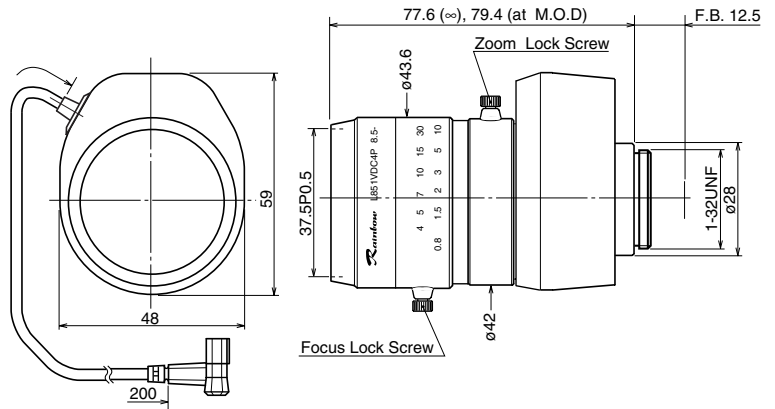


L851VDC4P

8.5~51mm F1.6 – CS-Mount

Compatible with 1/2", 1/3", & 1/4" Cameras

- Focal Length:** 8.5~51mm
- Max. Relative Aperture:** 1:1.6
- Iris:** F1.6~Approx. F360
With ND Spot Filter
- Angular Field of View:**
 - 1/2": 41.3° × 31.5° at 8.5mm
7.2° × 5.4° at 51mm
 - 1/3": 31.5° × 23.9° at 8.5mm
5.4° × 4.0° at 51mm
 - 1/4": 23.9° × 18.0° at 8.5mm
4.0° × 3.0° at 51mm



- Min. Object Distance (M.O.D.):** 0.8m (From Front Vertex)
- Optical Back Focal Distance:** 15.89mm (In Air)
- Operation:**
 - Zoom: Manual
 - Focus: Manual
 - Iris: IG (Auto-Close System)
- Operation Voltage:**
 - Close to Open: Less than 3V
 - Open to Close: More than 0.5V
- Operation Temperature:** -10 ~ +50°C (+14 ~ 122° F)
- Filter Size:** 37.5mm P0.5
- Mount:** CS-Mount
(Adjustable Lens Position)
- Size, Approx. Weight:** 48 × 59 × 79.4mm (w/h/d) 130g
(Approx. 1.9 × 2.3 × 3.1in., 4.6oz.)

