

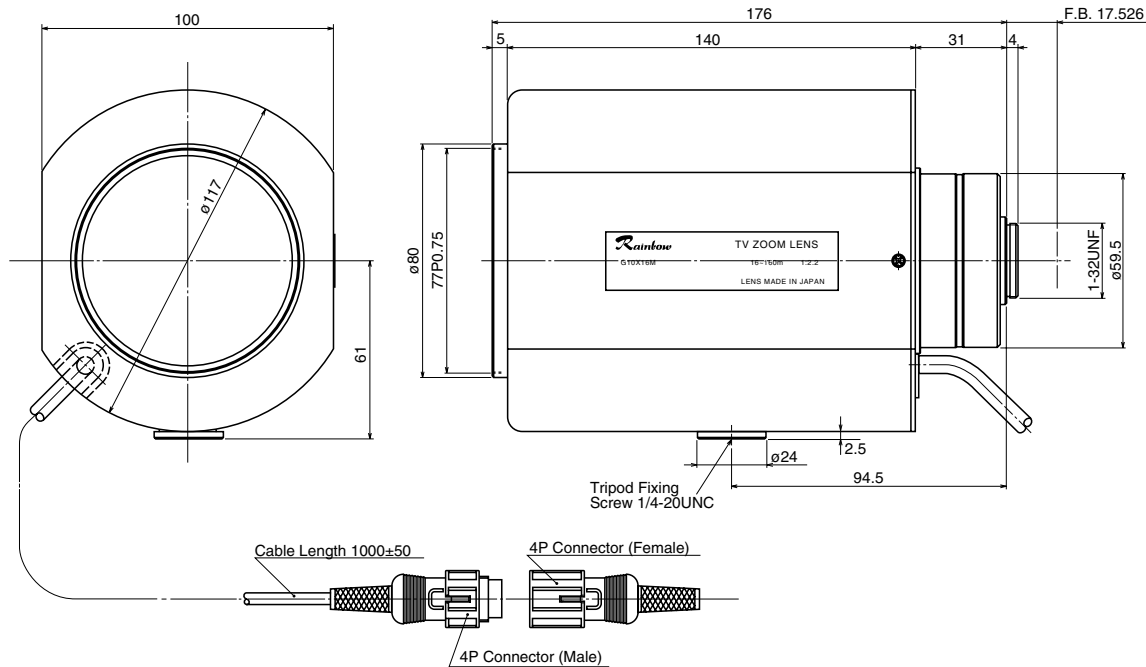
G10X16M

16~160mm F2.2 – C-Mount

Compatible with 1", 2/3", 1/2" & 1/3" Cameras

| | |
|---------------------------------------|--|
| Focal Length: | 16~160mm |
| Max. Relative Aperture: | 1:2.2 |
| Iris: | F2.2-Close |
| Zoom Ratio: | 10X |
| Angular Field of View: | 1": 43.6° × 33.4° at 16mm 4.6° × 3.4° at 160mm 2/3": 30.8° × 23.3° at 16mm 3.2° × 2.4° at 160mm 1/2": 22.6° × 17.1° at 16mm 2.3° × 1.7° at 160mm 1/3": 17.1° × 12.8° at 16mm 1.7° × 1.3° at 160mm |
| Min. Object Distance (M.O.D.): | 1.1m (From Front Vertex) |
| Optical Back Focal Distance: | 18.6mm (In Air) |

| | | |
|-------------------------------|--|---|
| Operation: | Zoom: | Motorized (DC±4V~12V, Max 80mA) Speed Approx. 5.5 sec. (at 6.4V) |
| | Focus: | Motorized (DC±4V~12V, Max 80mA) Speed Approx. 8 sec. (at 6.4V) |
| | Iris: | Motorized (DC±4V~12V, Max 80mA) Speed Approx. 3.5 sec. (at 6.4V) |
| Operation Temperature: | -10 ~ +50°C (+14 ~ 122° F) | |
| Filter Size: | 77mm P0.75 | |
| Mount: | C-mount (Adjustable Lens Position) | |
| Size, Approx. Weight: | 100 × 117 × 176mm (w/h/d), 1.4kg (Approx. 4.0 × 4.6 × 6.9in., 3.1lb.) | |



– Circuit Diagram –

