

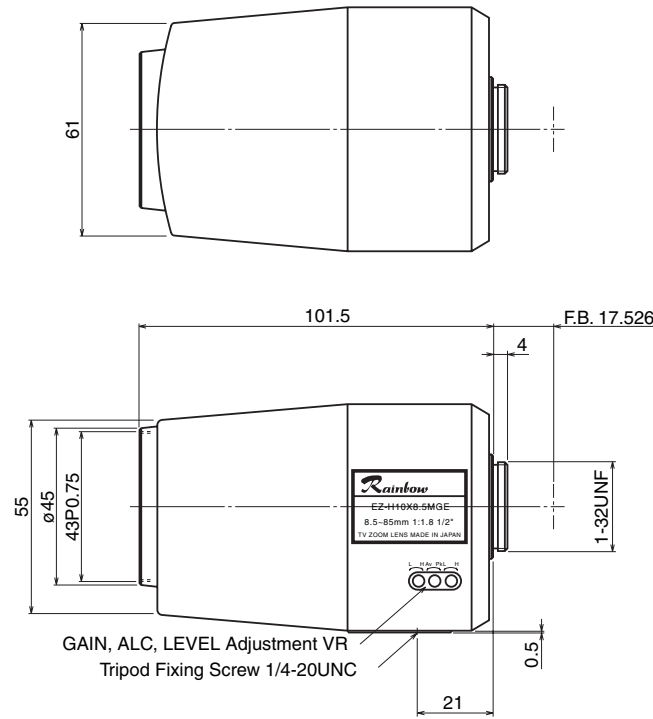
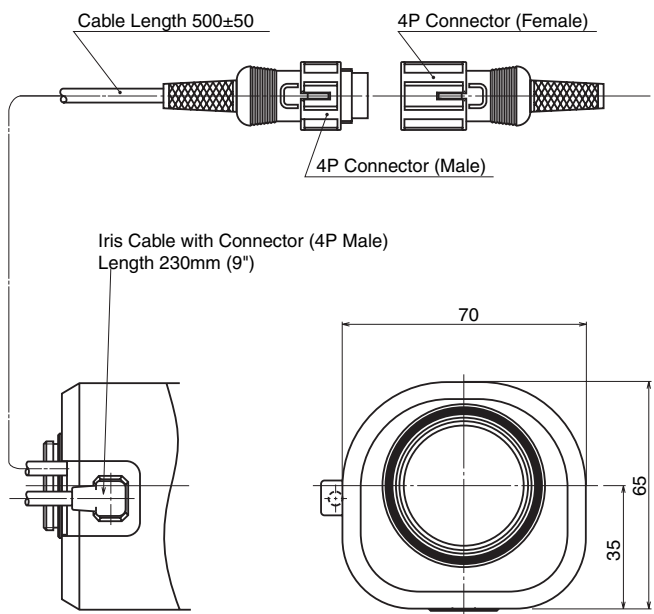
H10X85MGE

8.5~85mm F1.8 – CS-Mount

Compatible with 1/2" & 1/3" Cameras

Focal Length:	8.5~85mm
Max. Relative Aperture:	1:1.8
Iris:	F1.8~Approx.F 360 With ND Spot Filter
Zoom Ratio:	10X
Angular Field of View:	1/2": 41.3° × 31.5° at 8.5mm 4.3° × 3.2° at 85mm 1/3": 31.5° × 18.0° at 8.5mm 3.2° × 1.8° at 85mm
Min. Object Distance (M.O.D.):	1.2m (From Front Vertex)
Optical Back Focal Distance:	15.56mm (In Air)
Auto-Iris Input Signal:	Composite Video Signal or Video Signal

Input Impedance:	High Impedance
Sensitivity Adjustment:	Image Signal Level 0.5~1.0Vp-p With Input Video Signal 0.7Vp-p Within ±15% of Mean value
Auto-Iris Accuracy:	
Operation:	Zoom: Motorized (DC±6.4V~12V, Max 40mA) Speed Approx. 6.5 sec. (at 6.4V)
	Focus: Motorized (DC±6.4V~12V, Max 40mA) Speed Approx. 6.5 sec. (at 6.4V)
	Iris: Auto (DC+8.5~16V: Fixed Voltage, Max. 50mA, Auto-Close) Speed Within 4 sec.
Operation Temperature:	-10 ~ +50°C (+14 ~ 122° F)
Filter Size:	43mm P0.75
Mount:	CS-mount (Adjustable Lens Position)
Size, Approx. Weight:	70 × 65 × 101.5mm (w/h/d), 275g (Approx. 2.8 × 2.6 × 4.0in., 9.7oz.)



– Circuit Diagram –

