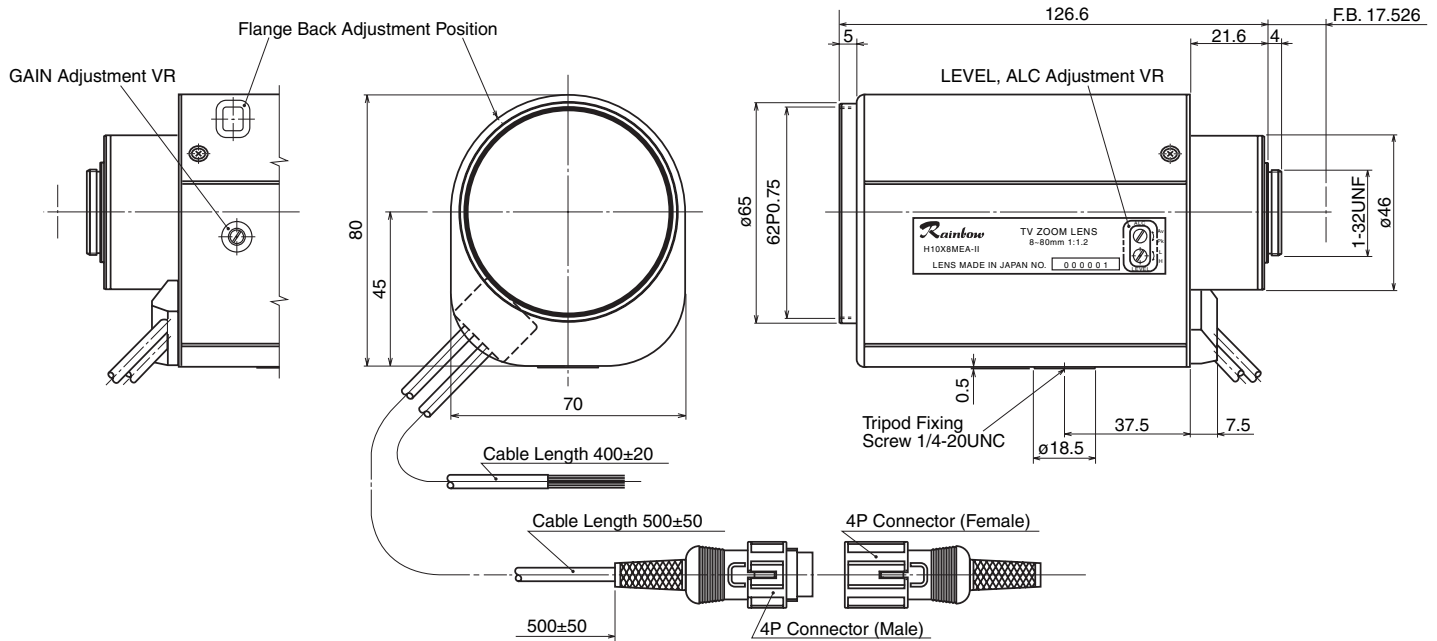


H10X8MEA-II

8~80mm F1.2 – C-Mount  
Compatible with 1/2" & 1/3" Cameras

<b>Focal Length:</b>	8~80mm	<b>Input Impedance:</b>	High Impedance
<b>Max. Relative Aperture:</b>	1:1.2	<b>Sensitivity Adjustment:</b>	Image Signal Level 0.5~1.0Vp-p
<b>Iris:</b>	F1.2~Approx. F1200 With ND Spot Filter	<b>Auto-Iris Accuracy:</b>	With Input Video Signal 0.7Vp-p Within ±15% of Mean value
<b>Zoom Ratio:</b>	10X	<b>Operation:</b>	<b>Zoom:</b> Motorized (DC±4V~12V, Max 40mA) Speed Approx. 6 sec. (at 6.4V)
<b>Angular Field of View:</b>	1/2": 43.6° × 33.4° at 8mm 4.6° × 3.4° at 80mm 1/3": 33.4° × 25.4° at 8mm 3.4° × 2.6° at 80mm	<b>Focus:</b>	Motorized (DC±4V~12V, Max 40mA) Speed Approx. 7 sec. (at 6.4V)
<b>Min. Object Distance (M.O.D.):</b>	1.2m (From Front Vertex)	<b>Iris:</b>	Auto (DC+8~16V: Fixed Voltage, Max. 60mA) Speed Within 3.5 sec.
<b>Optical Back Focal Distance:</b>	15.764mm (In Air)	<b>Operation Temperature:</b>	-10 ~ +50°C (+14 ~ 122° F)
<b>Auto-Iris Input Signal:</b>	Composite Video Signal or Video Signal	<b>Filter Size:</b>	62mm P0.75
		<b>Mount:</b>	C-mount (Adjustable Lens Position)
		<b>Size, Approx. Weight:</b>	70 × 80 × 126.6mm (w/h/d), 700g (Approx. 2.8 × 3.1 × 5.0in., 1.5lb.)



– Circuit Diagram –

