

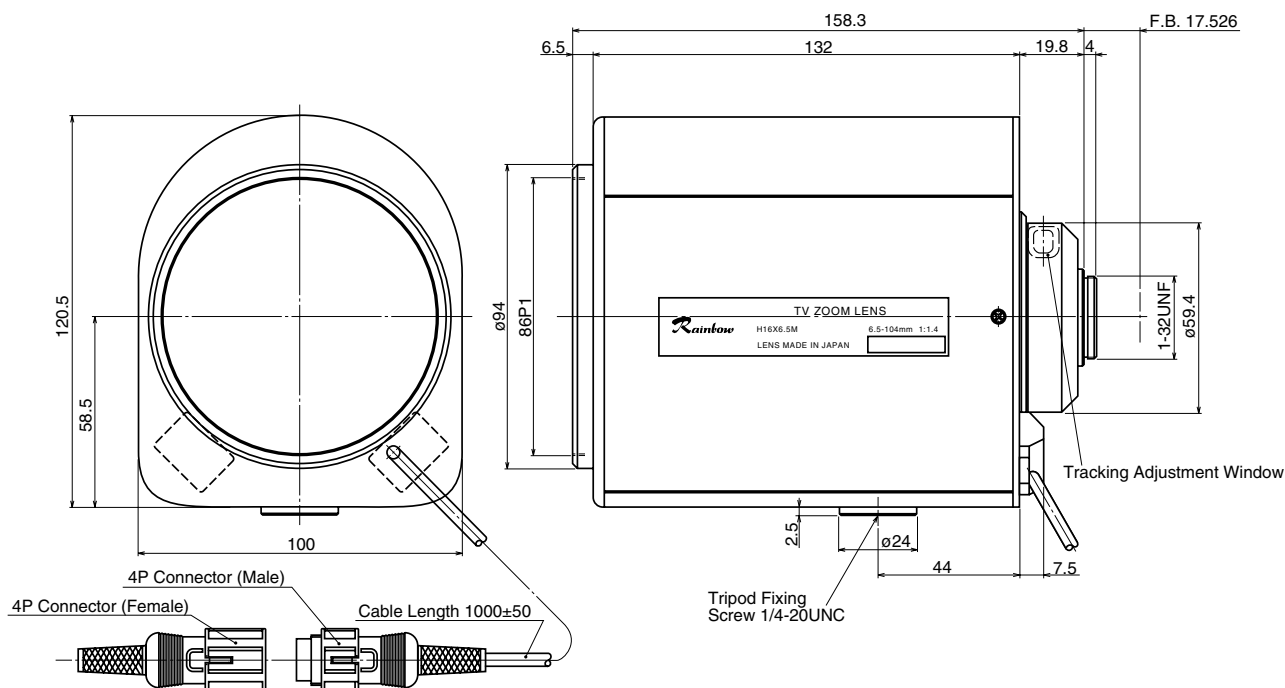
H16X6.5M

6.5~104mm F1.4 – C-Mount

Compatible with 1/2" & 1/3" Cameras

Focal Length:	6.5~104mm
Max. Relative Aperture:	1:1.2
Iris:	F1.2~Close
Zoom Ratio:	16X
Angular Field of View:	1/2": 52.4° × 40.5° at 6.5mm 3.5° × 2.4° at 104mm 1/3": 40.5° × 31.0° at 6.5mm 2.6° × 2.0° at 104mm
Min. Object Distance (M.O.D.):	1.5m (From Front Vertex)
Optical Back Focal Distance:	16.14mm (In Air)

Operation:	Zoom:	Motorized (DC±4V~12V, Max 40mA) Speed Approx. 9 sec. (at 6.4V)
	Focus:	Motorized (DC±4V~12V, Max 40mA) Speed Approx. 17 sec. (at 6.4V)
	Iris:	Motorized (DC±4V~12V, Max 40mA) Speed Approx. 2.5 sec. (at 6.4V)
Operation Temperature:	-10 ~ +50°C (+14 ~ 122° F)	
Filter Size:	86mm P1	
Mount:	C-mount (Adjustable Lens Position)	
Size, Approx. Weight:	100 × 120.5 × 158.3mm (w/h/d), 1.5kg (Approx. 4.0 × 4.8 × 6.2in., 3.3lb.)	



– Circuit Diagram –

