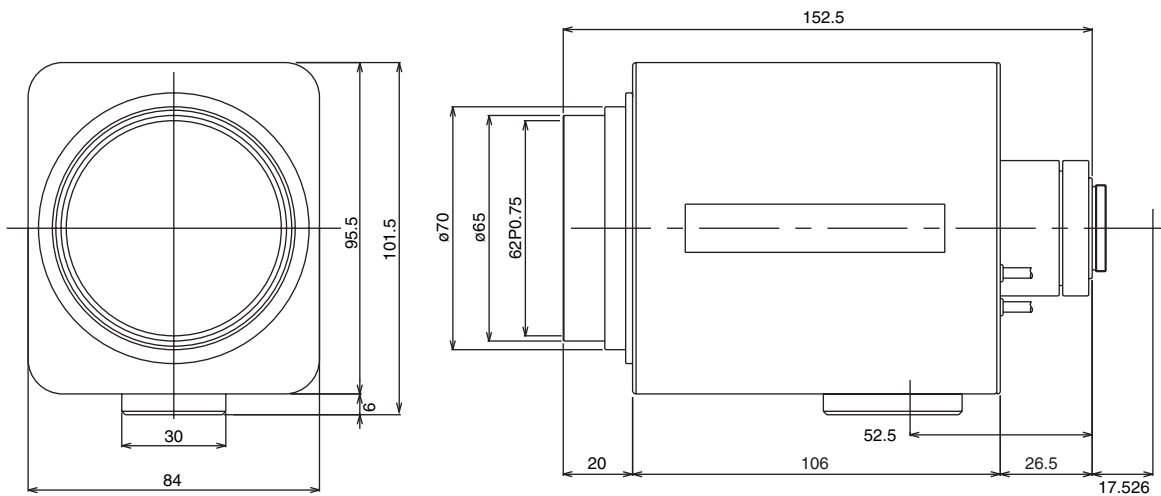


H20X8MEAIR4

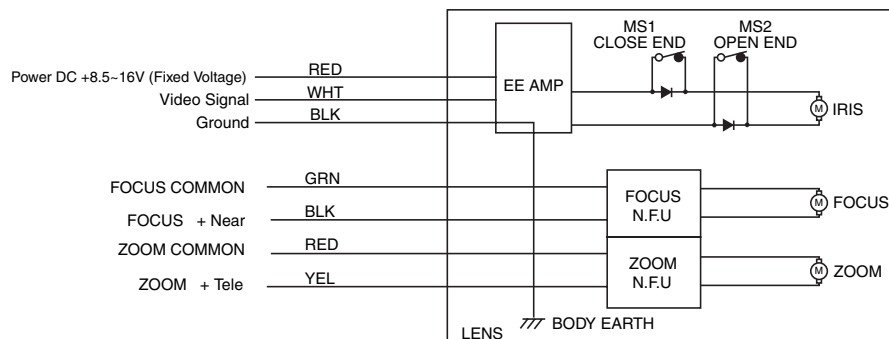
DAY NIGHT IR

8~160mm F1.6 – C-Mount
Compatible with 1/2" & 1/3" Cameras

Focal Length:	8~160mm	Input Impedance:	High Impedance
Max. Relative Aperture:	1:1.6	Sensitivity Adjustment:	Image Signal Level 0.5~1.0Vp-p
Iris:	F1.6~Approx. 1000 With ND Spot Filter	Auto-Iris Accuracy:	With Input Video Signal 0.7Vp-p Within ±15% of Mean value
Zoom Ratio:	20X	Operation: Zoom:	Motorized (DC±6V~12V, Max 60mA) Speed Approx. 7.5 sec. (at 8V)
Angular Field of View:	1/2": 42.7° × 32.7° at 8mm 2.3° × 1.7° at 160mm 1/3": 32.7° × 25.2° at 8mm 1.7° × 1.0° at 160mm	Focus:	Motorized (DC±6V~12V, Max 60mA) Speed Approx. 5 sec. (at 8V)
Min. Object Distance (M.O.D.):	1.5m (From Front Vertex)	Iris:	Auto (DC+8.5~16V: Fixed Voltage, Max. 60mA) Speed Within 3 sec.
Optical Back Focal Distance:	14.06mm (In Air)	Operation Temperature:	-10 ~ +50°C (+14 ~ 122° F)
Auto-Iris Input Signal:	Composite Video Signal or Video Signal	Filter Size:	62mm P0.75
		Mount:	C-mount (Adjustable Lens Postion)
		Size, Approx. Weight:	84 × 95.5 × 152.5mm (w/h/d), 1.4kg (Approx. 3.3 × 3.8 × 6.0in., 3.1lb.)



– Information –



This zoom lens provides two important benefits over standard zoom lenses when using infrared (IR) illuminators in your application:

1. Increased performance of the illuminator.
2. No focus shift when switching from visible light to IR light sources.