

H6X8

8~48mm F1.0 – C-Mount

Compatible with 1/2", 1/3" & 1/4" Cameras

Focal Length: 8~48mm
Max. Relative Aperture: 1:1.0
Iris: F1.0~Close
Angular Field of View:
 1/2": 43.6° × 33.4° at 8mm
 7.7° × 5.7° at 48mm
 1/3": 33.4° × 25.4° at 8mm
 5.7° × 4.3° at 48mm
 1/4": 25.4° × 19.2° at 8mm
 4.3° × 3.2° at 48mm

Min. Object Distance (M.O.D.):
 1.0m - 40" (From Front Vertex)
 0.3m - 12" (Focus set to S.N.)
 Partial eclipsing may occur during zooming when focus is set to S.N. on 1/2" cameras

Optical Back Focal Distance: 14.56mm (In Air)

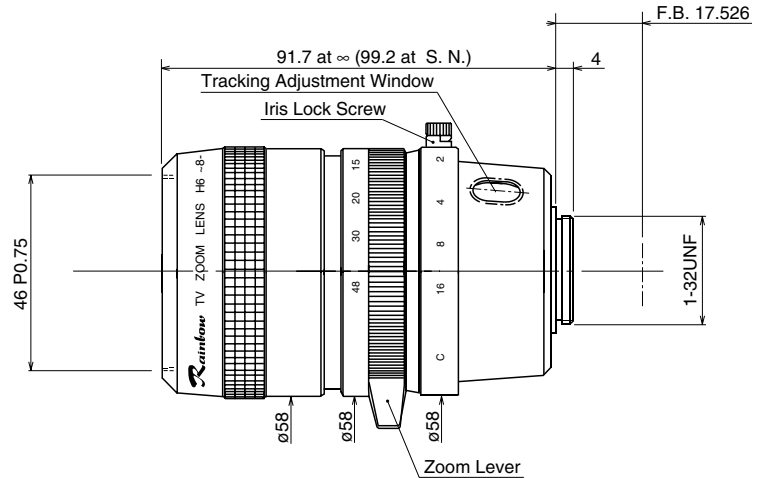
Operation: Zoom: Manual
 Focus: Manual
 Iris: Manual

Operation Temperature: -10 ~ +50°C (+14 ~ 122° F)

Filter Size: 46mm P07.5

Mount: C-Mount
 (Adjustable Lens Position)

Size, Approx. Weight: ø58.0 × 99.2mm, 380g
 (Approx. ø2.3 × 3.9in., 13.4oz.)



S6X11

11.5~69mm F1.4 – C-Mount

Compatible with 2/3", 1/2", 1/3" & 1/4" Cameras

Focal Length: 11.5~69mm
Max. Relative Aperture: 1:1.4
Iris: F1.4~Close
Angular Field of View:
 2/3": 41.9° × 32.0° at 11.5mm
 7.3° × 5.5° at 69mm
 1/2": 31.1° × 23.6° at 11.5mm
 5.3° × 4.0° at 69mm
 1/3": 23.6° × 17.8° at 11.5mm
 4.0° × 3.0° at 69mm
 1/4": 17.8° × 13.4° at 11.5mm
 3.0° × 2.2° at 69mm

Min. Object Distance (M.O.D.):
 1.0m - 40" (From Front Vertex)
 0.3m - 12" (Focus set to S.N.)
 Partial eclipsing may occur during zooming when focus is set to S.N. on 2/3" cameras

Optical Back Focal Distance: 17.93mm (In Air)

Operation: Zoom: Manual
 Focus: Manual
 Iris: Manual

Operation Temperature: -10 ~ +50°C (+14 ~ 122° F)

Filter Size: 46mm P07.5

Mount: C-Mount
 (Adjustable Lens Position)

Size, Approx. Weight: ø58.0 × 105mm, 395g
 (Approx. ø2.3 × 4.1in., 13.9oz.)

