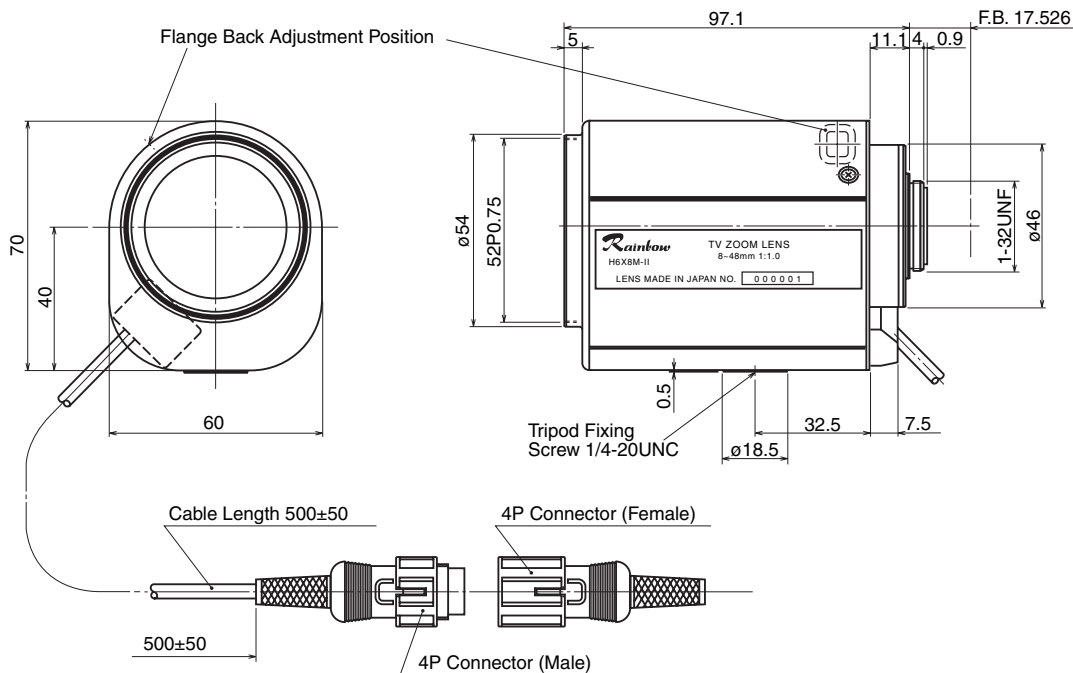


H6X8M-II

8~48mm F1.0 – C-Mount
Compatible with 1/2" & 1/3" Cameras

Focal Length:	8~48mm	Operation:	Zoom: Motorized (DC±4V~12V, Max 40mA) Speed Approx. 6 sec. (at 6.4V)
Max. Relative Aperture:	1:1.0		Focus: Motorized (DC±4V~12V, Max 40mA) Speed Approx. 7 sec. (at 6.4V)
Iris:	F1.0~Close		Iris: Motorized (DC±4V~12V, Max 40mA) Speed Approx. 3.5 sec. (at 6.4V)
Zoom Ratio:	6X	Operation Temperature:	-10 ~ +50°C (+14 ~ 122° F)
Angular Field of View:	1/2": 43.6° × 33.4° at 8mm 7.7° × 5.7° at 48mm 1/3": 33.4° × 25.4° at 8mm 5.7° × 4.3° at 48mm	Filter Size:	52mm P0.75
Min. Object Distance (M.O.D.):	1.0m (From Front Vertex)	Mount:	C-mount (Adjustable Lens Position)
Optical Back Focal Distance:	14.56mm (In Air)	Size, Approx. Weight:	60 × 70 × 97.1mm (w/h/d), 560g (Approx. 2.4 × 2.8 × 3.8in., 1.2lb.)



– Circuit Diagram –

