

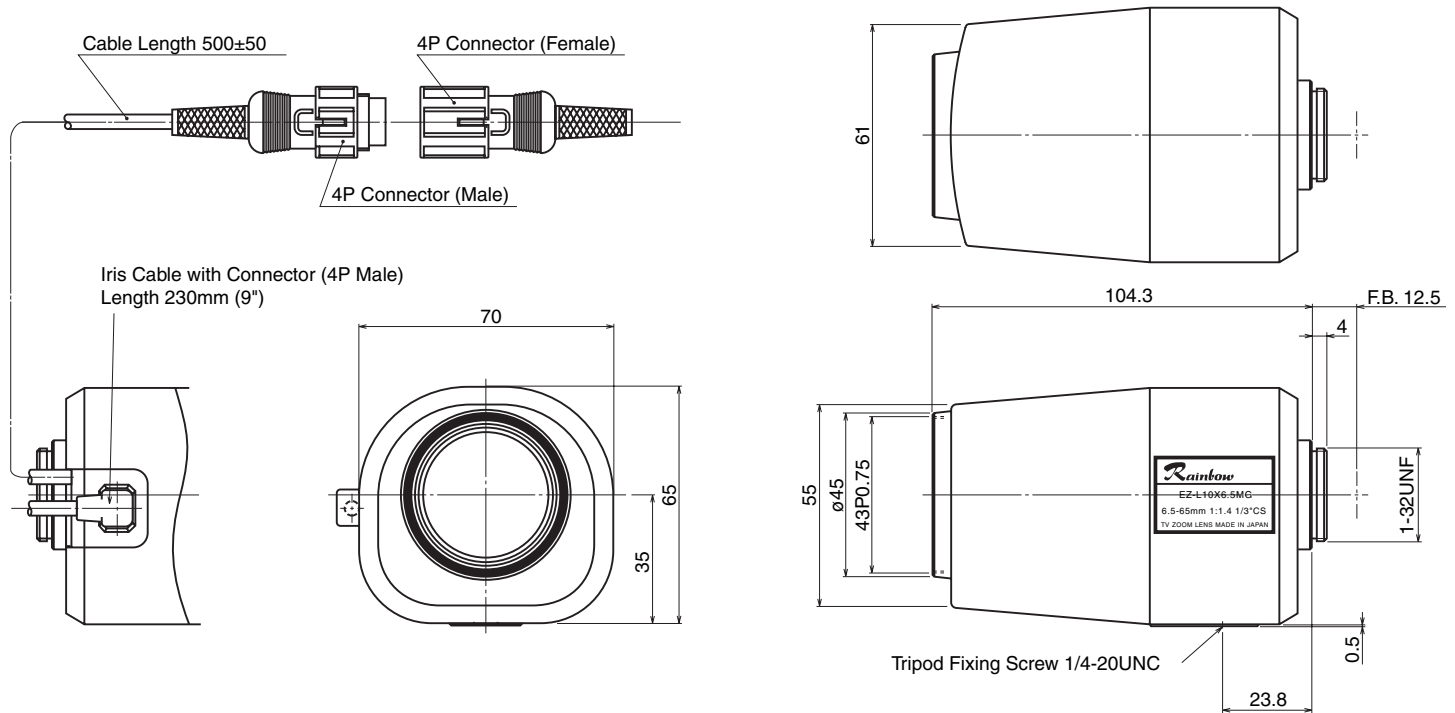
# L10X65DC4P

6.5~65mm F1.4 – CS-Mount

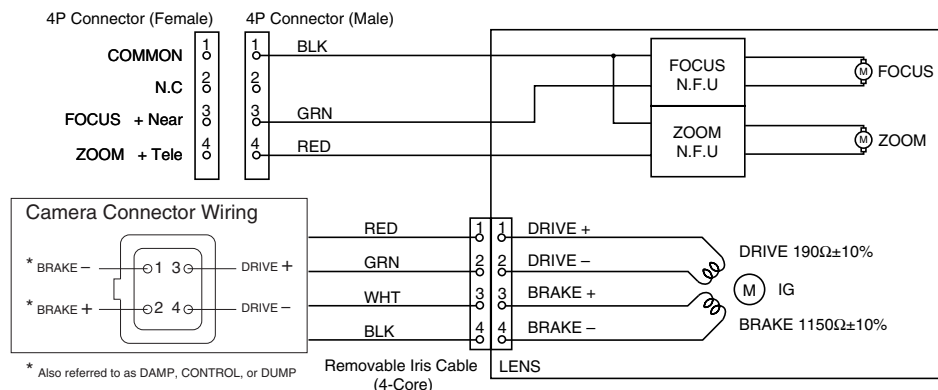
Compatible with 1/3" Cameras

<b>Focal Length:</b>	6.5~65mm
<b>Max. Relative Aperture:</b>	1:1.4
<b>Iris:</b>	F1.4~Approx. F360 With ND Spot Filter
<b>Zoom Ratio:</b>	10X
<b>Angular Field of View:</b>	1/3": 40.5° × 31.0° at 6.5mm 4.2° × 3.2° at 65mm
<b>Min. Object Distance (M.O.D.):</b>	1.2m (From Front Vertex)
<b>Optical Back Focal Distance:</b>	9.85mm (In Air)

<b>Operation:</b>	<b>Zoom:</b> Motorized (DC±6.4V~12V, Max 40mA) Speed Approx. 6.5 sec. (at 6.4V)
	<b>Focus:</b> Motorized (DC±6.4V~12V, Max 40mA) Speed Approx. 6.5 sec. (at 6.4V)
	<b>Iris:</b> IG (Auto-Close System) Close to Open: Less than 4V Open to Close: More than 0.1V Speed Within 4 sec.
<b>Operation Temperature:</b>	-10 ~ +50°C (+14 ~ 122° F)
<b>Filter Size:</b>	43mm P0.75
<b>Mount:</b>	CS-mount (Adjustable Lens Position)
<b>Size, Approx. Weight:</b>	70 × 65 × 104.3mm (w/h/d), 285g (Approx. 2.8 × 2.6 × 4.1in., 10.1oz.)



## - Circuit Diagram -



\* Also referred to as DAMP, CONTROL, or DUMP