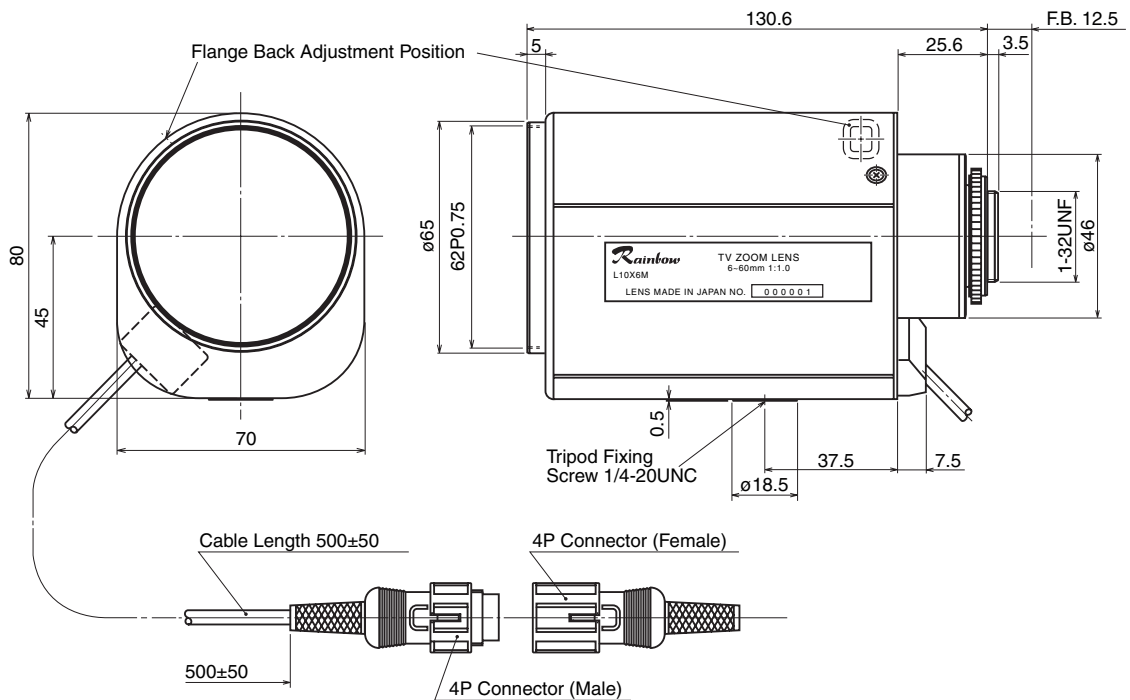


L10X6M/CS

6~60mm F1.0 – CS-Mount

Compatible with 1/3" Cameras

Focal Length:	6~60mm	Operation:	Zoom:	Motorized (DC±4V~12V, Max 40mA) Speed Approx. 6 sec. (at 6.4V)
Max. Relative Aperture:	1:1.0		Focus:	Motorized (DC±4V~12V, Max 40mA) Speed Approx. 7 sec. (at 6.4V)
Iris:	F1.0~Close		Iris:	Motorized (DC±4V~12V, Max 40mA) Speed Approx. 3.5 sec. (at 6.4V)
Zoom Ratio:	10X		Operation Temperature:	-10 ~ +50°C (+14 ~ 122° F)
Angular Field of View:	1/3": 43.6° × 33.4° at 6mm 4.6° × 3.4° at 60mm		Filter Size:	62mm P0.75
Min. Object Distance (M.O.D.):	1.2m (From Front Vertex)		Mount:	CS-mount (Adjustable Lens Position)
Optical Back Focal Distance:	14.28mm (In Air)		Size, Approx. Weight:	70 × 80 × 130.6mm (w/h/d), 700g (Approx. 2.8 × 3.2 × 5.1in., 1.5 lb.)



– Circuit Diagram –

