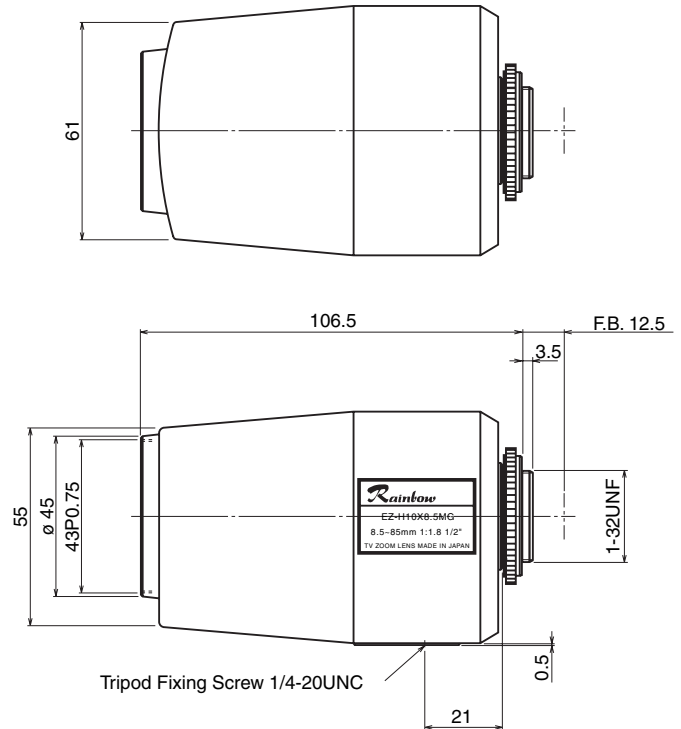
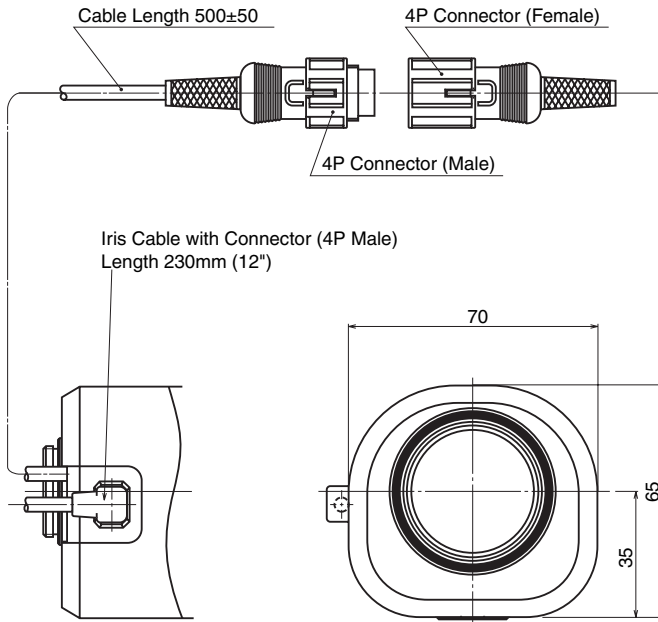


L10X85DC4P

8.5~85mm F1.8 – CS-Mount
Compatible with 1/2" & 1/3" Cameras

Focal Length:	8.5~85mm	Operation:	Zoom: Motorized (DC±6.4V~12V, Max 40mA) Speed Approx. 6.5 sec. (at 6.4V)
Max. Relative Aperture:	1:1.8	Focus:	Motorized (DC±6.4V~12V, Max 40mA) Speed Approx. 6.5 sec. (at 6.4V)
Iris:	F1.8~Approx. F360 With ND Spot Filter	Iris:	IG (Auto-Close System) Close to Open: Less than 4V Open to Close: More than 0.1V Speed Within 4 sec.
Zoom Ratio:	10X	Operation Temperature:	-10 ~ +50°C (+14 ~ 122° F)
Angular Field of View:	1/2": 41.3° × 31.5° at 8.5mm 4.3° × 3.2° at 85mm 1/3": 31.5° × 18.0° at 8.5mm 3.2° × 1.8° at 85mm	Filter Size:	43mm P0.75
Min. Object Distance (M.O.D.):	1.2m (From Front Vertex)	Mount:	CS-mount (Adjustable Lens Position)
Optical Back Focal Distance:	15.56mm (In Air)	Size, Approx. Weight:	70 × 65 × 106.5mm (w/h/d), 280g (Approx. 2.8 × 2.6 × 4.2in., 9.9oz.)



– Circuit Diagram –

