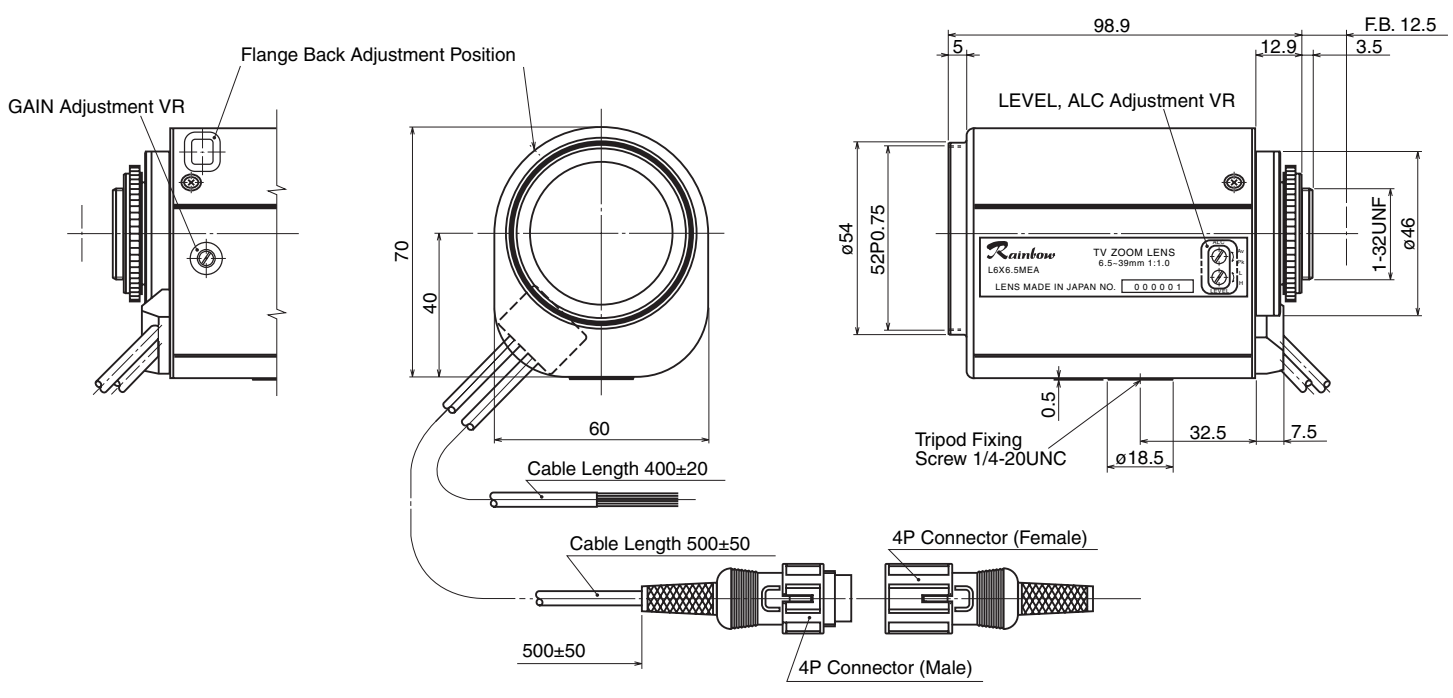


# L6X6.5MEA/CS

6.5~39mm F1.0 – CS-Mount

Compatible with 1/3" Cameras

<b>Focal Length:</b>	6.5~39mm	<b>Sensitivity Adjustment:</b>	Image Signal Level 0.5~1.0Vp-p
<b>Max. Relative Aperture:</b>	1:1.0	<b>Auto-Iris Accuracy:</b>	With Input Video Signal 0.7Vp-p
<b>Iris:</b>	F1.0~Approx. F1200		Within ±15% of Mean value
	With ND Spot Filter	<b>Operation:</b>	<b>Zoom:</b> Motorized (DC±4V~12V, Max 40mA)
<b>Zoom Ratio:</b>	6X		Speed Approx. 6 sec. (at 6.4V)
<b>Angular Field of View:</b>	1/3": 40.5° × 31.0° at 6.5mm		<b>Focus:</b> Motorized (DC±4V~12V, Max 40mA)
	7.0° × 5.3° at 39mm		Speed Approx. 7 sec. (at 6.4V)
<b>Min. Object Distance</b>			<b>Iris:</b> Auto (DC+8~16V: Fixed
<b>(M.O.D.):</b>	1.0m (From Front Vertex)		Voltage, Max. 60mA)
<b>Optical Back Focal</b>			Speed Within 3 sec.
<b>Distance:</b>	11.76mm (In Air)	<b>Operation Temperature:</b>	-10 ~ +50°C (+14 ~ 122° F)
<b>Auto-Iris Input Signal:</b>	Composite Video Signal or	<b>Filter Size:</b>	52mm P0.75
	Video Signal	<b>Mount:</b>	CS-mount
<b>Input Impedance:</b>	High Impedance		(Adjustable Lens Position)
		<b>Size, Approx. Weight:</b>	60 × 70 × 98.9mm (w/h/d), 500g
			(Approx. 2.4 × 2.8 × 3.9in., 1.1lb.)



## - Circuit Diagram -

