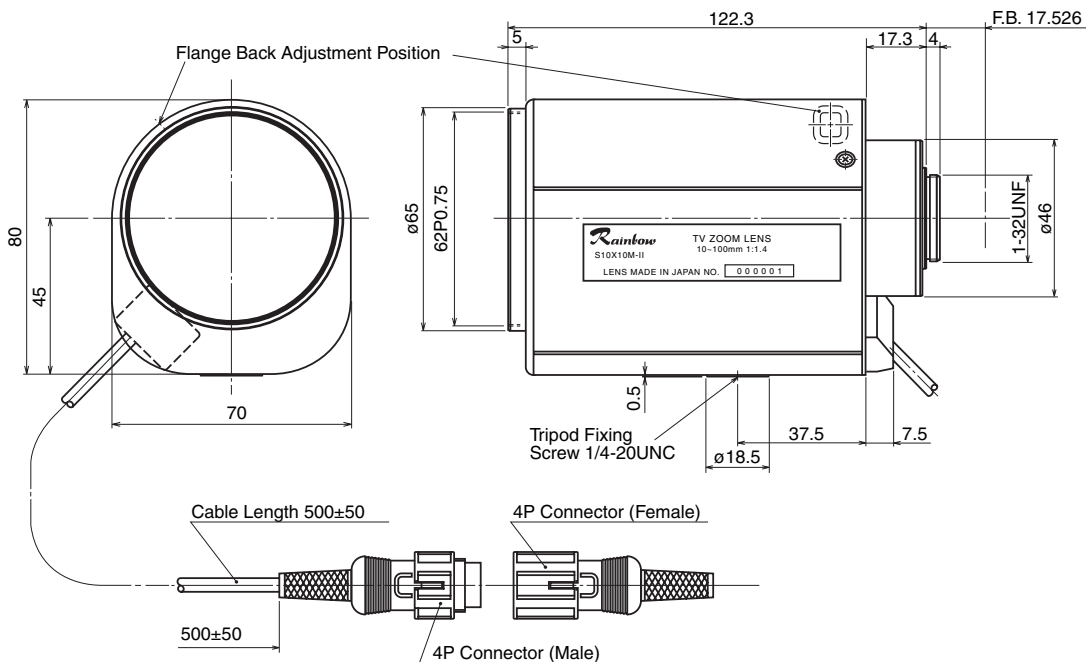


## S10X10M-II

10~100mm F1.4 – C-Mount

Compatible with 2/3", 1/2" &amp; 1/3" Cameras

<b>Focal Length:</b>	10~100mm	<b>Operation:</b>	Zoom:	Motorized (DC±4V~12V, Max 40mA) Speed Approx. 6 sec. (at 6.4V)
<b>Max. Relative Aperture:</b>	1:1.4		Focus:	Motorized (DC±4V~12V, Max 40mA) Speed Approx. 7 sec. (at 6.4V)
<b>Iris:</b>	F1.4~Close		Iris:	Motorized (DC±4V~12V, Max 40mA) Speed Approx. 3.5 sec. (at 6.4V)
<b>Zoom Ratio:</b>	10X	<b>Operation Temperature:</b>		-10 ~ +50°C (+14 ~ 122° F)
<b>Angular Field of View:</b>	2/3": 47.5° × 36.5° at 10mm 5.0° × 3.8° at 100mm 1/2": 35.5° × 27.0° at 10mm 3.7° × 2.7° at 100mm 1/3": 27.0° × 20.4° at 10mm 2.8° × 2.1° at 100mm	<b>Filter Size:</b>		62mm P0.75
<b>Min. Object Distance (M.O.D.):</b>	1.2m (From Front Vertex)	<b>Mount:</b>		C-mount (Adjustable Lens Position)
<b>Optical Back Focal Distance:</b>	14.694mm (In Air)	<b>Size, Approx. Weight:</b>		70 × 80 × 122.3mm (w/h/d), 700g (Approx. 2.8 × 3.1 × 4.8in., 1.5lb.)



## – Circuit Diagram –

