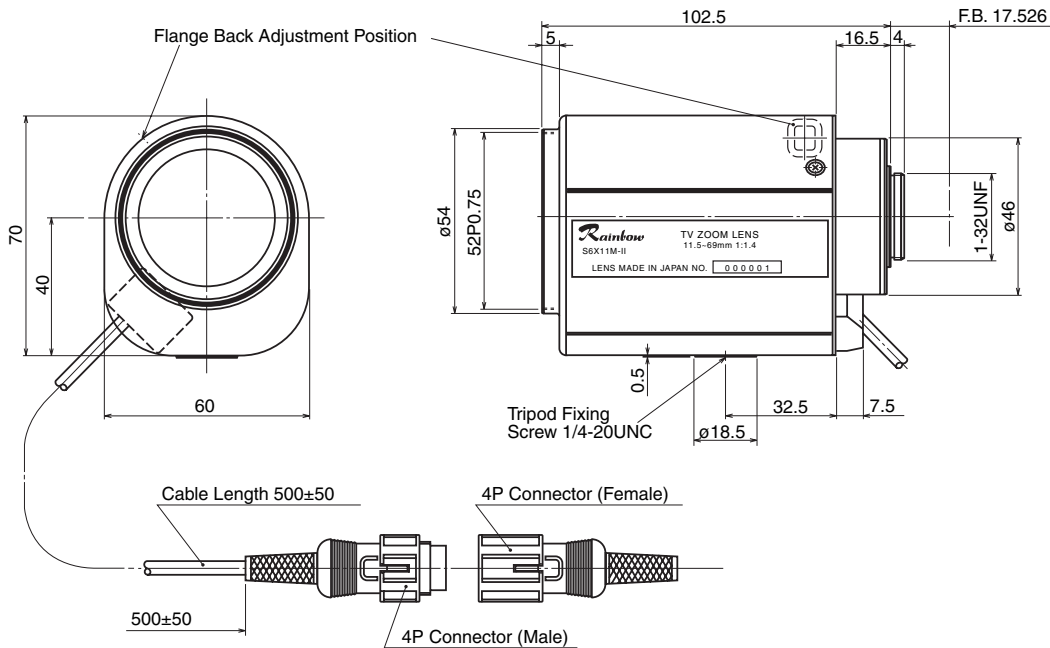


S6X11M-II

11.5~69mm F1.4 – C-Mount
Compatible with 2/3", 1/2" & 1/3", Cameras

Focal Length:	11.5~69mm
Max. Relative Aperture:	1:1.4
Iris:	F1.4~Close
Zoom Ratio:	6X
Angular Field of View:	2/3": 41.9° × 32.0° at 11.5mm 7.3° × 5.5° at 69mm 1/2": 31.1° × 23.6° at 11.5mm 5.3° × 4.0° at 69mm 1/3": 23.6° × 17.8° at 11.5mm 4.0° × 3.0° at 69mm
Min. Object Distance (M.O.D.):	1.0m (From Front Vertex)
Optical Back Focal Distance:	17.93mm (In Air)

Operation:	Zoom:	Motorized (DC±4V~12V, Max 40mA) Speed Approx. 6 sec. (at 6.4V)
	Focus:	Motorized (DC±4V~12V, Max 40mA) Speed Approx. 7 sec. (at 6.4V)
	Iris:	Motorized (DC±4V~12V, Max 40mA) Speed Approx. 3.5 sec. (at 6.4V)
Operation Temperature:		-10 ~ +50°C (+14 ~ 122° F)
Filter Size:		52mm P0.75
Mount:		C-mount (Adjustable Lens Position)
Size, Approx. Weight:		60 × 70 × 102.5mm (w/h/d), 500g (Approx. 2.4 × 2.8 × 4.0in., 1.1lb.)



– Circuit Diagram –

