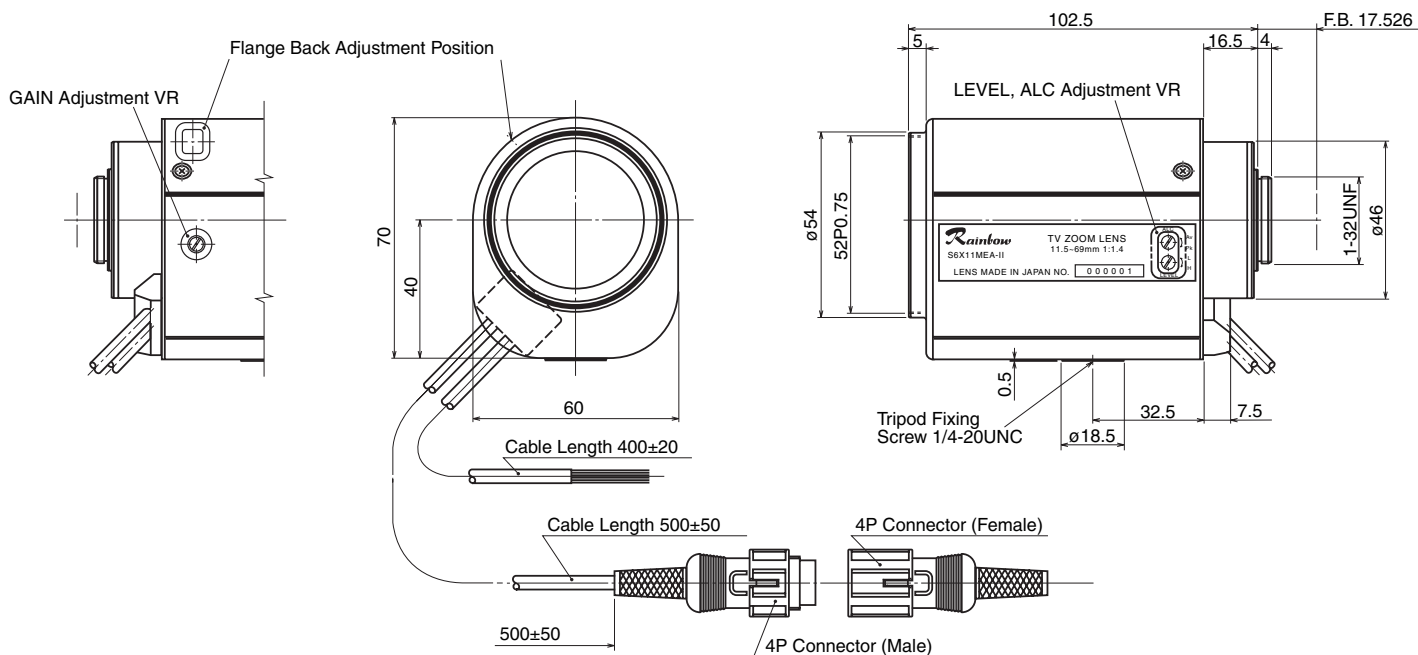


# S6X11MEA-II

11.5~69mm F1.4 – C-Mount  
Compatible with 2/3", 1/2" & 1/3" Cameras

<b>Focal Length:</b>	11.5~69mm	<b>Input Impedance:</b>	High Impedance
<b>Max. Relative Aperture:</b>	1:1.4	<b>Sensitivity Adjustment:</b>	Image Signal Level 0.5~1.0Vp-p
<b>Iris:</b>	F1.4~Approx. F1200 With ND Spot Filter	<b>Auto-Iris Accuracy:</b>	With Input Video Signal 0.7Vp-p Within ±15% of Mean value
<b>Zoom Ratio:</b>	6X	<b>Operation:</b>	<b>Zoom:</b> Motorized (DC±4V~12V, Max 40mA) Speed Approx. 6 sec. (at 6.4V)
<b>Angular Field of View:</b>	2/3": 41.9° × 32.0° at 11.5mm 7.3° × 5.5° at 69mm 1/2": 31.1° × 23.6° at 11.5mm 5.3° × 4.0° at 69mm 1/3": 23.6° × 17.8° at 11.5mm 4.0° × 3.0° at 69mm	<b>Focus:</b>	Motorized (DC±4V~12V, Max 40mA) Speed Approx. 7 sec. (at 6.4V)
<b>Min. Object Distance (M.O.D.):</b>	1.0m (From Front Vertex)	<b>Iris:</b>	Auto (DC+8.5~16V: Fixed Voltage, Max. 60mA) Speed Within 3 sec.
<b>Optical Back Focal Distance:</b>	17.93mm (In Air)	<b>Operation Temperature:</b>	-10 ~ +50°C (+14 ~ 122° F)
<b>Auto-Iris Input Signal:</b>	Composite Video Signal or Video Signal	<b>Filter Size:</b>	52mm P0.75
		<b>Mount:</b>	C-mount (Adjustable Lens Position)
		<b>Size, Approx. Weight:</b>	60 × 70 × 102.5mm (w/h/d), 500g (Approx. 2.4 × 2.8 × 4.0in., 1.1lb.)



## – Circuit Diagram –

