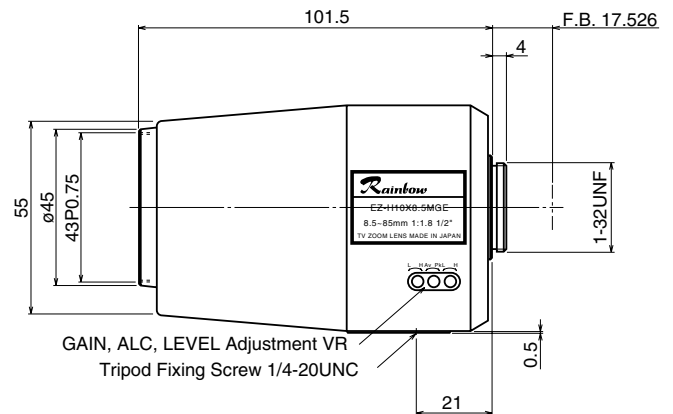
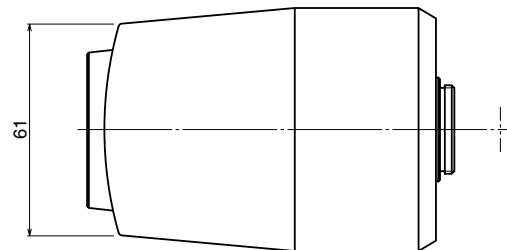
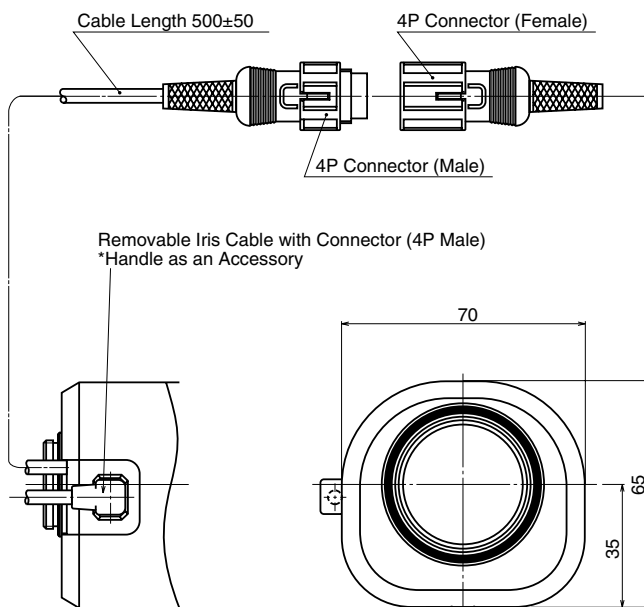


## EZ-H10X8.5MGE

8.5~85mm F1.8 – CS-Mount

Compatible with 1/2" & 1/3" Cameras  
Cable Assembly Required – Sold Separately

<b>Focal Length:</b>	8.5~85mm	<b>Input Impedance:</b>	High Impedance
<b>Max. Relative Aperture:</b>	1:1.8	<b>Sensitivity Adjustment:</b>	Image Signal Level 0.5~1.0Vp-p
<b>Iris:</b>	F1.8~Approx.F 360 With ND Spot Filter	<b>Auto-Iris Accuracy:</b>	With Input Video Signal 0.7Vp-p Within ±15% of Mean value
<b>Zoom Ratio:</b>	10X	<b>Operation:</b> Zoom:	Motorized (DC±6.4V~12V, Max 40mA) Speed Approx. 6.5 sec. (at 6.4V)
<b>Angular Field of View:</b>	1/2": 41.3° × 31.5° at 8.5mm 4.3° × 3.2° at 85mm 1/3": 40.5° × 31.0° at 8.5mm 4.2° × 3.2° at 85mm	Focus:	Motorized (DC±6.4V~12V, Max 40mA) Speed Approx. 6.5 sec. (at 6.4V)
<b>Min. Object Distance (M.O.D.):</b>	1.2m (From Front Vertex)	Iris:	Auto (DC+8.5~16V: Fixed Voltage, Max. 50mA, Auto-Close) Speed Within 4 sec.
<b>Optical Back Focal Distance:</b>	15.56mm (In Air)	<b>Operation Temperature:</b>	-10 ~ +50°C (+14 ~ 122° F)
<b>Auto-Iris Input Signal:</b>	Composite Video Signal or Video Signal	<b>Filter Size:</b>	43mm P0.75
		<b>Mount:</b>	CS-mount (Adjustable Lens Postion)
		<b>Size, Approx. Weight:</b>	70 × 65 × 101.5mm (w/h/d), 275g (Approx. 2.8 × 2.6 × 4.0in., 9.7oz.)



### – Circuit Diagram –

