

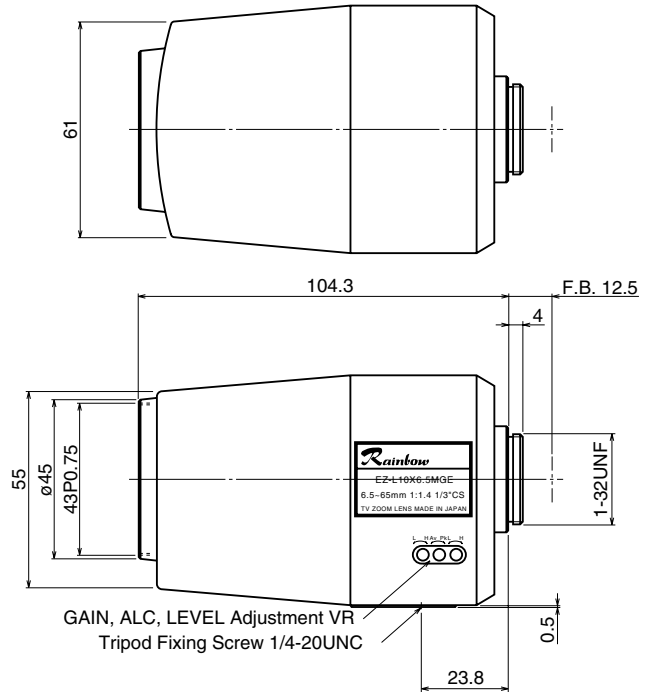
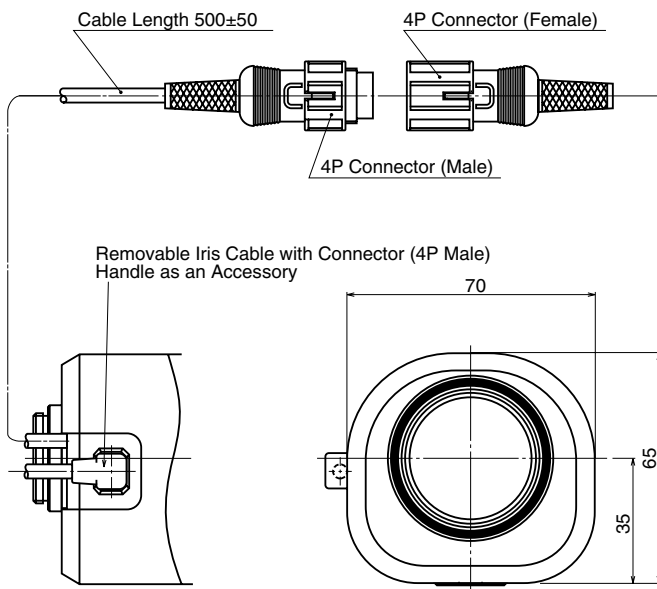
EZ-L10X6.5MGECS

6.5~65mm F1.4 – CS-Mount

Compatible with 1/3" Cameras
Cable Assembly Required – Sold Separately

Focal Length:	6.5~65mm
Max. Relative Aperture:	1:1.4
Iris:	F1.4~Approx.F 360 With ND Spot Filter
Zoom Ratio:	10X
Angular Field of View:	1/3": 40.5° × 31.0° at 6.5mm 4.2° × 3.2° at 65mm
Min. Object Distance (M.O.D.):	1.2m (From Front Vertex)
Optical Back Focal Distance:	9.85mm (In Air)
Auto-Iris Input Signal:	Composite Video Signal or Video Signal

Input Impedance:	High Impedance
Sensitivity Adjustment:	Image Signal Level 0.5~1.0Vp-p With Input Video Signal 0.7Vp-p Within ±15% of Mean value
Auto-Iris Accuracy:	
Operation:	Zoom: Motorized (DC±6.4V~12V, Max 40mA) Speed Approx. 6.5 sec. (at 6.4V)
	Focus: Motorized (DC±6.4V~12V, Max 40mA) Speed Approx. 6.5 sec. (at 6.4V)
	Iris: Auto (DC+8.5~16V: Fixed Voltage, Max. 50mA, Auto-Close) Speed Within 4 sec.
Operation Temperature:	-10 ~ +50°C (+14 ~ 122° F)
Filter Size:	43mm P0.75
Mount:	CS-mount (Adjustable Lens Postion)
Size, Approx. Weight:	70 × 65 × 104.3mm (w/h/d), 285g (Approx. 2.8 × 2.6 × 4.1in., 10.1oz.)



– Circuit Diagram –

