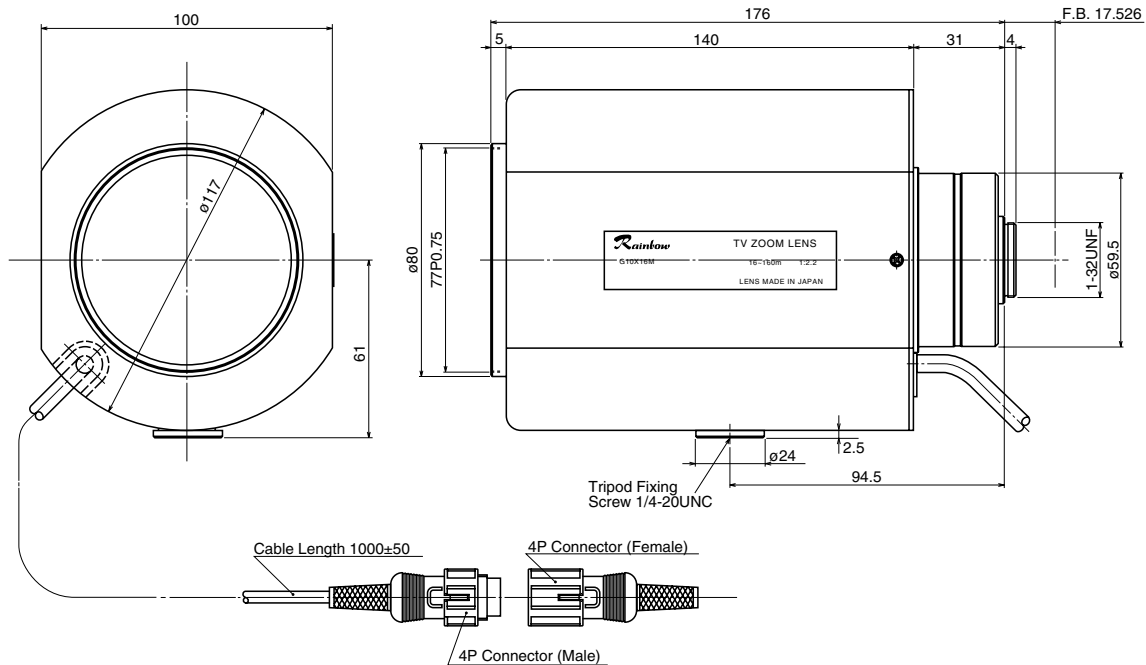


**G10X16M**

**16~160mm 1:2.2 – C-Mount**  
Compatible with 1", 2/3", 1/2" & 1/3" Cameras

**Focal Length:** 116~160mm  
**Max. Relative Aperture:** 1:2.2  
**Iris:** F2.2-Close  
**Zoom Ratio:** 10X  
**Angular Field of View:**  
 1": 43.6° × 33.4° at 16mm  
     4.6° × 3.4° at 160mm  
 2/3": 30.8° × 23.3° at 16mm  
     3.2° × 2.4° at 160mm  
 1/2": 22.6° × 17.1° at 16mm  
     2.3° × 1.7° at 160mm  
 1/3": 17.1° × 12.8° at 16mm  
     1.7° × 1.3° at 160mm  
**Min. Object Distance (M.O.D.):** 1.1m (From Front Vertex)  
**Optical Back Focal Distance:** 18.6mm (In Air)

**Operation:**  
**Zoom:** Motorized (DC±4V~12V, Max 80mA)  
 Speed Approx. 5.5 sec. (at 6.4V)  
**Focus:** Motorized (DC±4V~12V, Max 80mA)  
 Speed Approx. 8 sec. (at 6.4V)  
**Iris:** Motorized (DC±4V~12V, Max 80mA)  
 Speed Approx. 3.5 sec. (at 6.4V)  
**Operation Temperature:** -10 ~ +50°C (+14 ~ 122° F)  
**Filter Size:** 77mm P0.75  
**Mount:** C-mount  
 (Adjustable Lens Postion)  
**Size, Approx. Weight:** 100 × 117 × 176mm (w/h/d), 1.4kg  
 (Approx. 4.0 × 4.6 × 6.9in., 3.1lb.)



**– Circuit Diagram –**

