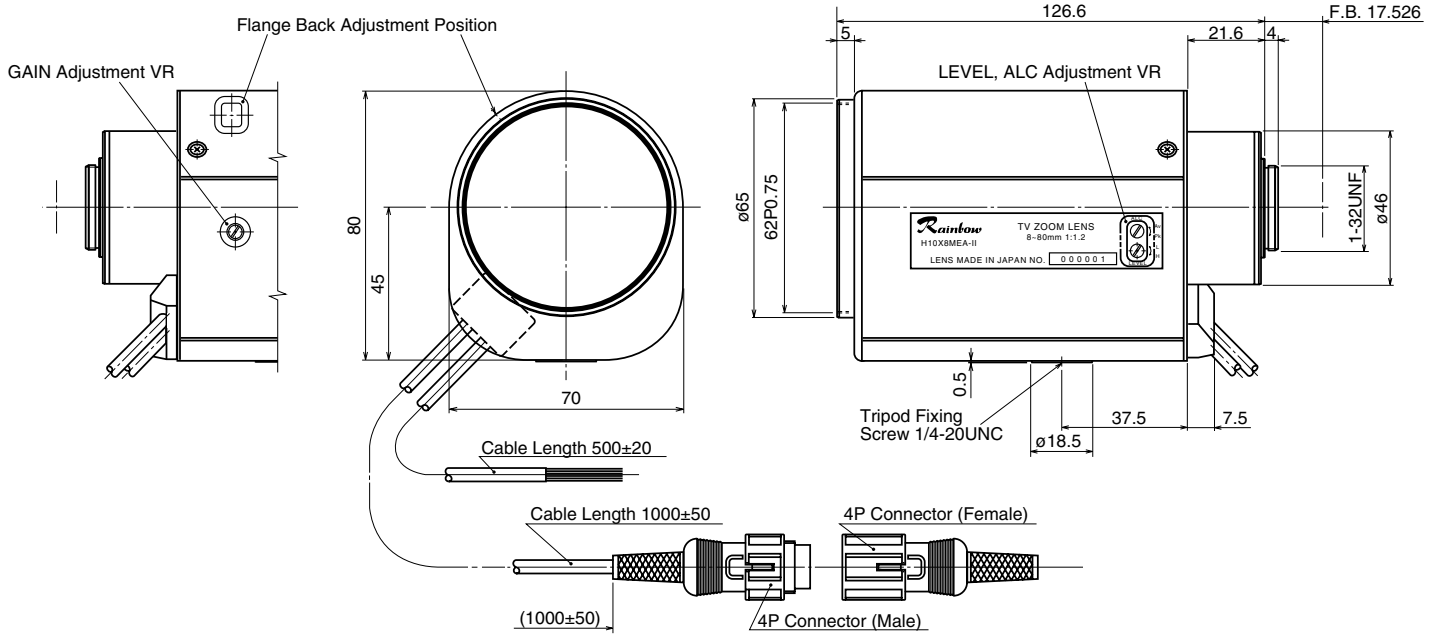


H10X8MEA-II

8~80mm F1.2 – C-Mount
Compatible with 1/2" & 1/3" Cameras

Focal Length:	8~80mm	Input Impedance:	High Impedance
Max. Relative Aperture:	1:1.2	Sensitivity Adjustment:	Image Signal Level 0.5~1.0Vp-p
Iris:	F1.2~Approx. 1200 With ND Spot Filter	Auto-Iris Accuracy:	With Input Video Signal 0.7Vp-p Within ±15% of Mean value
Zoom Ratio:	10X	Operation: Zoom:	Motorized (DC±4V~12V, Max 40mA) Speed Approx. 6 sec. (at 6.4V)
Angular Field of View:	1/2": 43.6° × 33.4° at 8mm 4.6° × 3.4° at 80mm 1/3": 33.4° × 25.4° at 8mm 3.4° × 2.6° at 80mm	Focus:	Motorized (DC±4V~12V, Max 40mA) Speed Approx. 7 sec. (at 6.4V)
Min. Object Distance (M.O.D.):	1.2m (From Front Vertex)	Iris:	Auto (DC+8~16V: Fixed Voltage, Max. 60mA) Speed Within 3.5 sec.
Optical Back Focal Distance:	15.764mm (In Air)	Operation Temperature:	-10 ~ +50°C (+14 ~ 122° F)
Auto-Iris Input Signal:	Composite Video Signal or Video Signal	Filter Size:	62mm P0.75
		Mount:	C-mount (Adjustable Lens Postion)
		Size, Approx. Weight:	70 × 80 × 126.6mm (w/h/d), 700g (Approx. 2.8 × 3.1 × 5.0in., 1.5lb.)



– Circuit Diagram –

