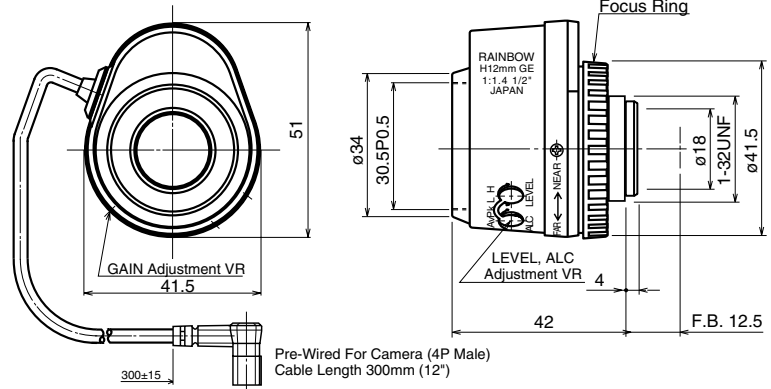


## H12GECS

12mm F1.4 – CS-Mount

Compatible with 1/2", 1/3" & 1/4" Cameras

- Focal Length:** 12mm
- Max. Relative Aperture:** 1:1.4
- Iris:** F1.4~Approx. F88  
With ND Spot Filter
- Angular Field of View:**  
1/2": 29.9° × 22.6°  
1/3": 22.6° × 17.1°  
1/4": 17.1° × 12.8°
- Min. Object Distance (M.O.D.):** 0.2m (From Front Vertex)
- Optical Back Focal Distance:** 13.87mm (In Air)
- Operation:** Focus: Manual  
Iris: Auto (DC+8~16V: Fixed Voltage, Max. 40mA) Auto-Close System Speed Within 4 sec.
- Auto-Iris Accuracy:** With Input Video Signal 0.7Vp-p Within ±10% of Mean Value
- Auto-Iris Input Signal:** Composite Video Signal or Video Signal
- Input Impedance:** High Impedance
- Sensitivity Adjustment:** Image Signal Level 0.5~1.5Vp-p
- Operation Temperature:** -10 ~ +50°C (+14 ~ 122° F)
- Filter Size:** 30.5mm P0.5
- Mount:** CS-Mount, (Adjustable Lens Postion)
- Size, Approx. Weight:** 41.5 × 51 × 42mm (w/h/d), 65g (Approx. 1.6 × 2.0 × 1.7in., 2.3 oz.)



Camera Connector Wiring		Pin		Signal	
1	3	1	+8-16VDC	3	Video
2	4	2	N.C.	4	Ground

VIDEO TYPE LENS

For cameras with standard wiring for Video type lenses (Rainbow, Panasonic, Sanyo, Sony, etc.)

Note: Some brands (incl. Everfocus, Javelin, Watec) use the same 4-pin connector with non-standard wiring. **To avoid camera damage, compare wiring instructions in camera box to this diagram.**