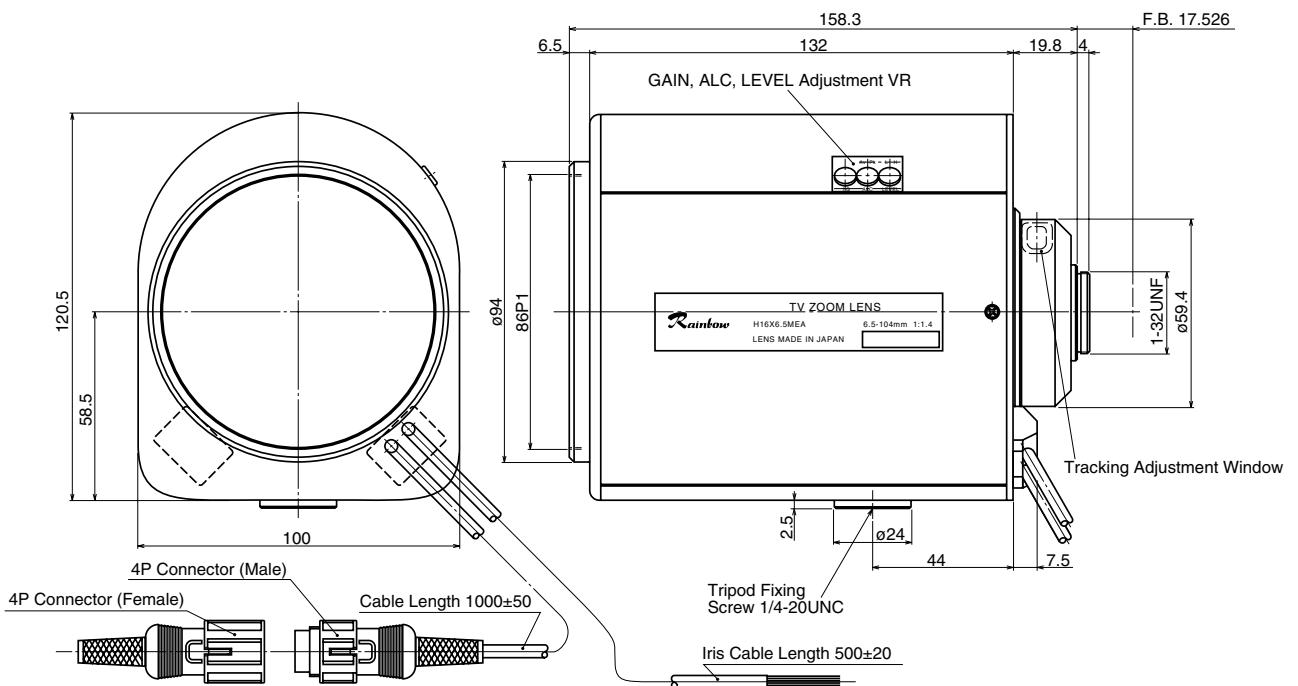


H16X6.5MEA

6.5~104mm 1:1.4 – C-Mount

Compatible with 1/2" & 1/4" Cameras

Focal Length:	6.5~104mm	Input Impedance:	High Impedance
Max. Relative Aperture:	1:1.4 at 6.5~80mm 1:1.6 at 104mm	Sensitivity Adjustment:	Image Signal Level 0.5~1.0Vp-p With Input Video Signal 0.7Vp-p Within ±15% of Mean value
Iris:	F1.4~Approx. 1200 With ND Spot Filter	Auto-Iris Accuracy:	
Zoom Ratio:	16X	Operation:	Zoom: Motorized (DC±4V~12V, Max 40mA) Speed Approx. 6 sec. (at 6.4V)
Angular Field of View:	1/2": 52.4° × 40.5° at 6.5mm 3.5° × 2.6° at 104mm 1/3": 40.5° × 31.° at 6.5mm 3.4° × 2.6° at 104mm	Focus:	Motorized (DC±4V~12V, Max 40mA) Speed Approx. 10 sec. (at 6.4V)
Min. Object Distance (M.O.D.):	1.5m (From Front Vertex)	Iris:	Auto (DC+8~16V: Fixed Voltage, Max. 60mA) Speed Within 3 sec.
Optical Back Focal Distance:	16.14mm (In Air)	Operation Temperature:	-10 ~ +50°C (+14 ~ 122° F)
Auto-Iris Input Signal:	Composite Video Signal or Video Signal	Filter Size:	86mm P1
		Mount:	C-mount (Adjustable Lens Postion)
		Size, Approx. Weight:	100 × 120.5 × 158.3mm (w/h/d), 1.5kg (Approx. 4.0 × 4.8 × 6.2in., 3.3lb.)



– Circuit Diagram –

