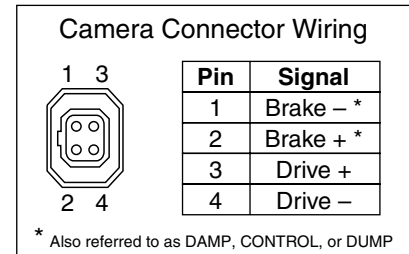
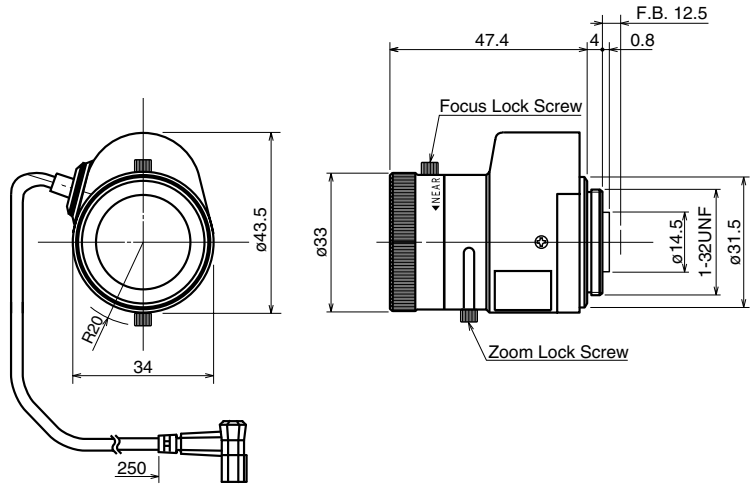


L2864VDC4P

2.8~6.4mm F1.4 – CS-Mount

Compatible with 1/3" & 1/4" Cameras

- Focal Length:** 2.8~6.4mm
- Max. Relative Aperture:** 1:1.4
- Iris:** F1.4~Approx. F360
With ND Spot Filter
- Angular Field of View:**
1/3": 88.7° × 68.2° at 2.8mm
41.1° × 31.4° at 6.4mm
1/4": 68.2° × 51.5° at 2.8mm
31.4° × 23.8° at 6.4mm
- Min. Object Distance (M.O.D.):** 0.2m (From Front Vertex)
- Optical Back Focal Distance:** 8.45mm (In Air)
- Operation:** Zoom: Manual
Focus: Manual
Iris: IG (Auto-Close System)
- Operation Voltage:** Close to Open: Less than 3V
Open to Close: More than 0.5V
- Operation Temperature:** -10 ~ +50°C (+14 ~ 122° F)
- Filter Size:** None
- Mount:** CS-Mount
(Adjustable Lens Position)
- Size, Approx. Weight:** 34 × 43.5 × 47.4mm (w/h/d), 65g
(Approx. 1.3 × 1.7 × 1.9in., 2.3oz.)



L338VDC4P

3.3~8mm F1.4 – CS-Mount

Compatible with 1/3" & 1/4" Cameras

- Focal Length:** 3.3~8mm
- Max. Relative Aperture:** 1:1.4
- Iris:** F1.4~Approx. F360
With ND Spot Filter
- Angular Field of View:**
1/3": 80.2° × 59.7° at 3.3mm
35.5° × 26.8° at 8mm
1/4": 59.7° × 44.5° at 3.3mm
26.8° × 19.1° at 8mm
- Min. Object Distance (M.O.D.):** 0.2m (From Front Vertex)
- Optical Back Focal Distance:** 8.58mm (In Air)
- Operation:** Zoom: Manual
Focus: Manual
Iris: IG (Auto-Close System)
- Operation Voltage:** Close to Open: Less than 3V
Open to Close: More than 0.5V
- Operation Temperature:** -10 ~ +50°C (+14 ~ 122° F)
- Filter Size:** None
- Mount:** CS-Mount
(Adjustable Lens Position)
- Size, Approx. Weight:** 34 × 43.5 × 47.4mm (w/h/d), 65g
(Approx. 1.3 × 1.7 × 1.9in., 2.3oz.)

