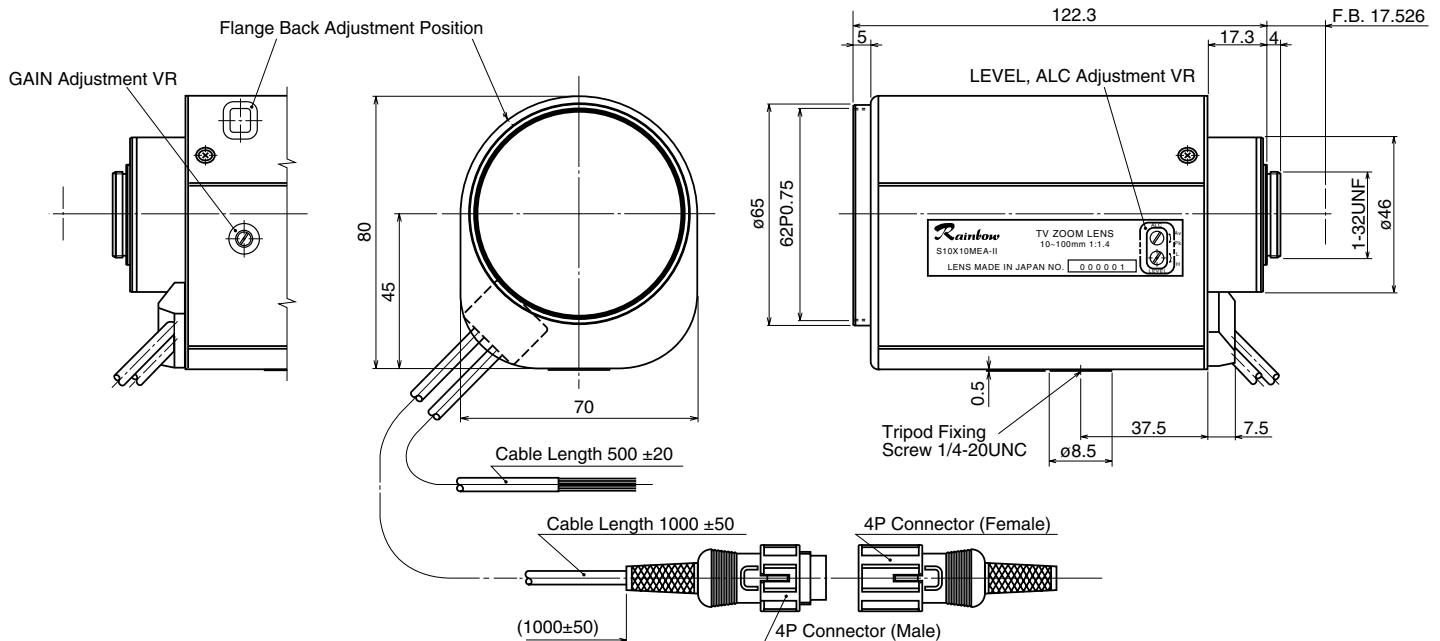


S10X10MEA-II

10~100mm F1.4 – C-Mount
Compatible with 2/3", 1/2" & 1/3" Cameras

Focal Length:	10~100mm	Input Impedance:	High Impedance
Max. Relative Aperture:	1:1.4	Sensitivity Adjustment:	Image Signal Level 0.5~1.0Vp-p
Iris:	F1.4~Approx. 1200 With ND Spot Filter	Auto-Iris Accuracy:	With Input Video Signal 0.7Vp-p Within ±15% of Mean value
Zoom Ratio:	10X	Operation:	Zoom: Motorized (DC±4V~12V, Max 40mA) Speed Approx. 6 sec. (at 6.4V)
Angular Field of View:	2/3": 47.5° × 36.5° at 10mm 5.0° × 3.8° at 100mm 1/2": 35.5° × 27.0° at 10mm 3.7° × 2.7° at 100mm 1/3": 27.0° × 20.4° at 10mm 2.8° × 2.1° at 100mm	Focus:	Motorized (DC±4V~12V, Max 40mA) Speed Approx. 7 sec. (at 6.4V)
Min. Object Distance (M.O.D.):	1.2m (From Front Vertex)	Iris:	Auto (DC+8.5~16V: Fixed Voltage, Max. 60mA) Speed Within 3.5 sec.
Optical Back Focal Distance:	14.694mm (In Air)	Operation Temperature:	-10 ~ +50°C (+14 ~ 122° F)
Auto-Iris Input Signal:	Composite Video Signal or Video Signal	Filter Size:	62mm P0.75
		Mount:	C-mount (Adjustable Lens Postion)
		Size, Approx. Weight:	70 × 80 × 122.3mm (w/h/d), 700g (Approx. 2.8 × 3.1 × 4.8in., 1.5lb.)



– Circuit Diagram –

