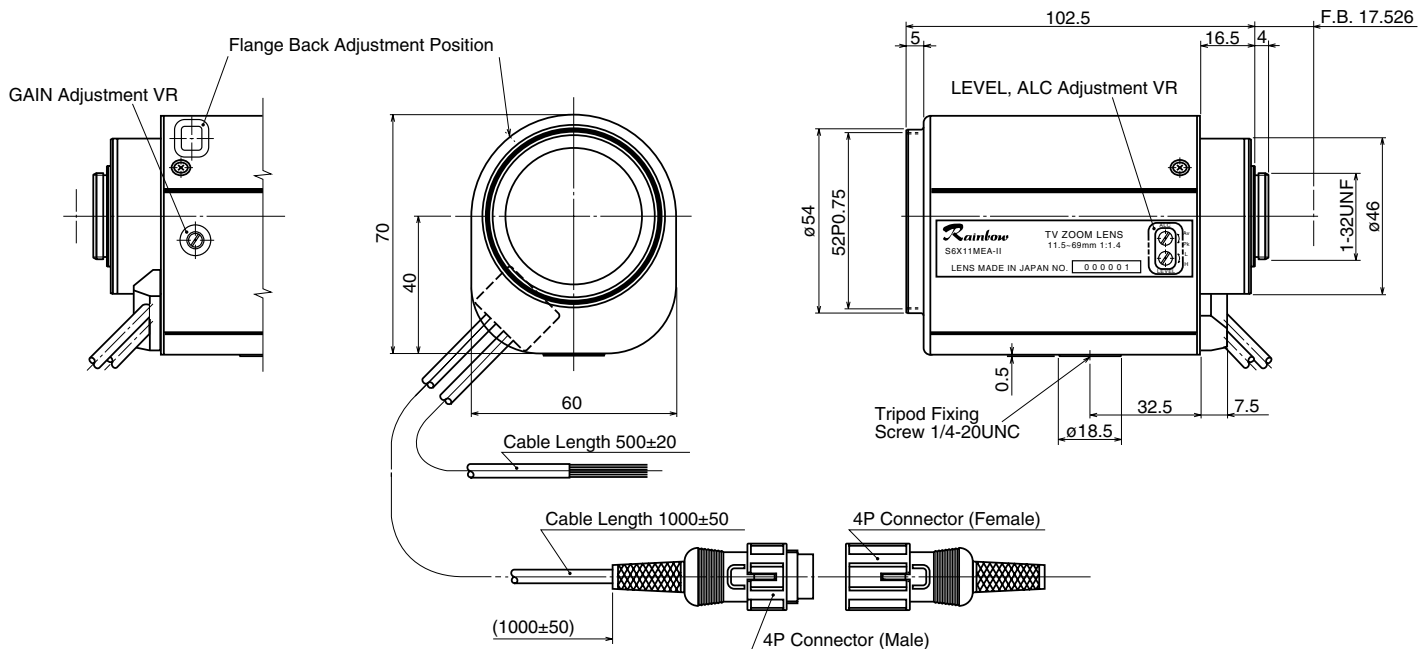


S6X11MEA-II

11.5~69mm F1.4 – C-Mount
Compatible with 2/3", 1/2" & 1/3" Cameras

Focal Length:	11.5~69mm
Max. Relative Aperture:	1:1.4
Iris:	F1.4~Approx. 1200 With ND Spot Filter
Zoom Ratio:	6X
Angular Field of View:	2/3": 41.9° × 32.0° at 11.5mm 7.3° × 5.5° at 69mm 1/2": 31.1° × 23.6° at 11.5mm 5.3° × 4.0° at 69mm 1/3": 23.6° × 17.8° at 11.5mm 4.0° × 3.0° at 69mm
Min. Object Distance (M.O.D.):	1.0m (From Front Vertex)
Optical Back Focal Distance:	17.93mm (In Air)
Auto-Iris Input Signal:	Composite Video Signal or Video Signal

Input Impedance:	High Impedance
Sensitivity Adjustment:	Image Signal Level 0.5~1.0Vp-p
Auto-Iris Accuracy:	With Input Video Signal 0.7Vp-p Within ±15% of Mean value
Operation:	Zoom: Motorized (DC±4V~12V, Max 40mA) Speed Approx. 6 sec. (at 6.4V)
	Focus: Motorized (DC±4V~12V, Max 40mA) Speed Approx. 7 sec. (at 6.4V)
	Iris: Auto (DC+8.5~16V: Fixed Voltage, Max. 60mA) Speed Within 3 sec.
Operation Temperature:	-10 ~ +50°C (+14 ~ 122° F)
Filter Size:	52mm P0.75
Mount:	C-mount (Adjustable Lens Postion)
Size, Approx. Weight:	60 × 70 × 102.5mm (w/h/d), 500g (Approx. 2.4 × 2.8 × 4.0in., 1.1lb.)



– Circuit Diagram –

